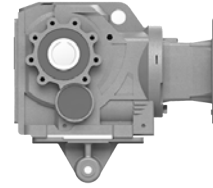


KAN & KHN Series - Helical Bevel Reducers: Product Overview

Product Specifications

- » 5:1 - 120:1 ratios
 - » Additional ratios via custom order
- » Box sizes 37 - 97
- » Horsepower range from 3/4 HP to 30 HP
- » **KAN Series:** Torque arm mounted or flange mounted - hollow bore output series. Torque arm and B5 flange are sold separately.
- » **KHN Series:** Foot mounted - hollow bore output series
- » All cast iron housings for increased strength and reliability
- » Gears are precision machined for better rotation and quieter operation
- » Gearbox flanges are designed to accept NEMA C-face electric motors
- » Drop-in for most major European-produced inline reducer brands
- » 2 year warranty



KAN Series



KHN Series

Box Size	Nominal Ratio	Actual Ratio	Output RPM @ 1750 RPM Input	Input HP	Output Torque (lbs. in.)	Max OHL (lbs.)	Motor Frame	Stages	Approx. Weight (lbs.)	KAN Model Number	KAN List	KHN Model Number	KHN List	
37	5	4.73	370	8.5	1310	400	56C	3	32	KAN37-5/1-H-56C		KHN37-5/1-H-56C		
	5	4.73	370	8.5	1310	395	143/5TC	3	37	KAN37-5/1-H-143/5TC		KHN37-5/1-H-143/5TC		
	7.5	7.96	220	6	1559	465	56C	3	32	KAN37-7.5/1-H-56C		KHN37-7.5/1-H-56C		
	7.5	7.96	220	6	1559	460	143/5TC	3	37	KAN37-7.5/1-H-143/5TC		KHN37-7.5/1-H-143/5TC		
	10	11.09	158	4.33	1565	520	56C	3	32	KAN37-10/1-H-56C		KHN37-10/1-H-56C		
	10	11.09	158	4.33	1565	510	143/5TC	3	37	KAN37-10/1-H-143/5TC		KHN37-10/1-H-143/5TC		
	15	15.32	114	3.14	1568	575	56C	3	32	KAN37-15/1-H-56C		KHN37-15/1-H-56C		
	15	15.32	114	3.14	1568	560	143/5TC	3	37	KAN37-15/1-H-143/5TC		KHN37-15/1-H-143/5TC		
	25	23.1	76	2.2	1659	635	56C	3	32	KAN37-25/1-H-56C		KHN37-25/1-H-56C		
	25	23.1	76	2.2	1659	610	143/5TC	3	37	KAN37-25/1-H-143/5TC		KHN37-25/1-H-143/5TC		
	30	32.19	54	1.66	1747	705	56C	3	32	KAN37-30/1-H-56C		KHN37-30/1-H-56C		
	30	32.19	54	1.66	1747	680	143TC	3	37	KAN37-30/1-H-143TC		KHN37-30/1-H-143TC		
	40	37.97	46	1.43	1770	735	56C	3	32	KAN37-40/1-H-56C		KHN37-40/1-H-56C		
	40	37.97	46	1.43	1770	705	143TC	3	37	KAN37-40/1-H-143TC		KHN37-40/1-H-143TC		
	50	49.51	35	1.1	1770	785	56C	3	32	KAN37-50/1-H-56C		KHN37-50/1-H-56C		
	60	59.67	29	0.91	1770	815	56C	3	32	KAN37-60/1-H-56C		KHN37-60/1-H-56C		
	47	5	5.85	299	9.2	1757	505	145TC	3	51	KAN47-5/1-H-145TC		KHN47-5/1-H-145TC	
		5	5.85	299	9.2	1757	485	182/4TC	3	57	KAN47-5/1-H-182/4TC		KHN47-5/1-H-182/4TC	
7.5		7.11	246	8.08	1875	530	145TC	3	51	KAN47-7.5/1-H-145TC		KHN47-7.5/1-H-145TC		
7.5		7.11	246	8.08	1875	510	182/4TC	3	57	KAN47-7.5/1-H-182/4TC		KHN47-7.5/1-H-182/4TC		
10		9.95	176	6.46	2097	620	56C	3	46	KAN47-10/1-H-56C		KHN47-10/1-H-56C		
10		9.95	176	6.46	2097	615	143/5TC	3	51	KAN47-10/1-H-143/5TC		KHN47-10/1-H-143/5TC		
10		9.95	176	6.46	2097	550	182/4TC	3	57	KAN47-10/1-H-182/4TC		KHN47-10/1-H-182/4TC		
15		16.99	103	4.52	2507	660	145TC	3	51	KAN47-15/1-H-145TC		KHN47-15/1-H-145TC		
15		16.99	103	4.52	2507	600	182TC	3	57	KAN47-15/1-H-182TC		KHN47-15/1-H-182TC		
20		20.65	85	3.97	2675	690	143/5TC	3	51	KAN47-20/1-H-143/5TC		KHN47-20/1-H-143/5TC		
20		20.65	85	3.97	2675	610	182TC	3	57	KAN47-20/1-H-182TC		KHN47-20/1-H-182TC		
30		28.88	61	3.17	2991	855	56C	3	46	KAN47-30/1-H-56C		KHN47-30/1-H-56C		
30		28.88	61	3.17	2991	830	143/5TC	3	51	KAN47-30/1-H-143/5TC		KHN47-30/1-H-143/5TC		
40		41.36	42	2.5	3372	945	56C	3	46	KAN47-40/1-H-56C		KHN47-40/1-H-56C		
40		41.36	42	2.5	3372	905	143/5TC	3	51	KAN47-40/1-H-143/5TC		KHN47-40/1-H-143/5TC		
50		47.08	37	2.21	3400	975	56C	3	46	KAN47-50/1-H-56C		KHN47-50/1-H-56C		
50		47.08	37	2.21	3400	935	143TC	3	51	KAN47-50/1-H-143TC		KHN47-50/1-H-143TC		
60		58.99	30	1.84	3540	1030	56C	3	46	KAN47-60/1-H-56C		KHN47-60/1-H-56C		
60	58.99	30	1.84	3540	980	143TC	3	51	KAN47-60/1-H-143TC		KHN47-60/1-H-143TC			
70	71.78	24	1.51	3540	1070	56C	3	46	KAN47-70/1-H-56C		KHN47-70/1-H-56C			
70	71.78	24	1.51	3540	1000	143TC	3	51	KAN47-70/1-H-143TC		KHN47-70/1-H-143TC			
85	86.89	20	1.42	3540	1110	56C	3	46	KAN47-85/1-H-56C		KHN47-85/1-H-56C			
67	10	9.66	181	12.06	3800	1500	145TC	3	73	KAN67-10/1-H-145TC		KHN67-10/1-H-145TC		
	10	9.66	181	12.06	3800	1410	182/4TC	3	80	KAN67-10/1-H-182/4TC		KHN67-10/1-H-182/4TC		
	15	14.16	124	9.23	4265	1770	56C	3	69	KAN67-15/1-H-56C		KHN67-15/1-H-56C		
	15	14.16	124	9.23	4265	1740	143/5TC	3	73	KAN67-15/1-H-143/5TC		KHN67-15/1-H-143/5TC		
	15	14.16	124	9.23	4265	1500	182/4TC	3	80	KAN67-15/1-H-182/4TC		KHN67-15/1-H-182/4TC		
	20	22.18	79	6.26	4530	1760	145TC	3	73	KAN67-20/1-H-145TC		KHN67-20/1-H-145TC		
	20	22.18	79	6.26	4530	1570	182/4TC	3	80	KAN67-20/1-H-182/4TC		KHN67-20/1-H-182/4TC		
	30	30.9	57	5.34	5390	1820	145TC	3	73	KAN67-30/1-H-145TC		KHN67-30/1-H-145TC		
	30	30.9	57	5.34	5390	1550	182/4TC	3	80	KAN67-30/1-H-182/4TC		KHN67-30/1-H-182/4TC		
	40	37.98	46	4.62	5730	2140	56C	3	69	KAN67-40/1-H-56C		KHN67-40/1-H-56C		
	40	37.98	46	4.62	5730	1850	143/5TC	3	73	KAN67-40/1-H-143/5TC		KHN67-40/1-H-143/5TC		
	40	37.98	46	4.62	5730	1510	182TC	3	80	KAN67-40/1-H-182TC		KHN67-40/1-H-182TC		
	45	46.33	38	4.02	6080	2140	56C	3	69	KAN67-45/1-H-56C		KHN67-45/1-H-56C		
	45	46.33	38	4.02	6080	2140	143/5TC	3	73	KAN67-45/1-H-143/5TC		KHN67-45/1-H-143/5TC		
	45	46.33	38	4.02	6080	1450	182TC	3	80	KAN67-45/1-H-182TC		KHN67-45/1-H-182TC		
	65	64.97	27	2.95	6260	2140	56C	3	69	KAN67-65/1-H-56C		KHN67-65/1-H-56C		
	65	64.97	27	2.95	6260	2140	143/5TC	3	73	KAN67-65/1-H-143/5TC		KHN67-65/1-H-143/5TC		
	85	84.1	21	2.46	6760	2140	56C	3	69	KAN67-85/1-H-56C		KHN67-85/1-H-56C		
85	84.1	21	2.46	6760	2140	143/5TC	3	73	KAN67-85/1-H-143/5TC		KHN67-85/1-H-143/5TC			

Continued On Next Page

Section 3: Helical Gear Reducers

KAN & KHN Series - Helical Bevel Gear Reducers



**KAN & KHN Series - Helical Bevel Reducers:
Product Overview**

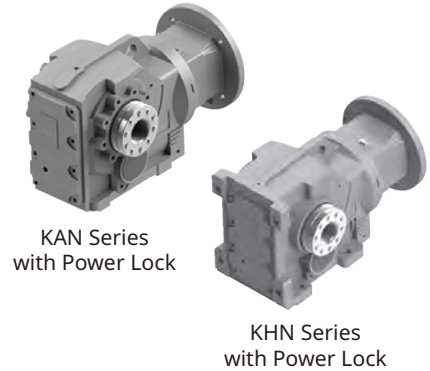
Box Size	Nominal Ratio	Actual Ratio	Output RPM @ 1750 RPM Input	Input HP	Output Torque (lbs. in.)	Max OHL (lbs.)	Motor Frame	Stages	Approx. Weight (lbs.)	KAN Model Number	KHN Model Number	
67	110	108.03	16	2.06	7260	2140	56C	3	69	KAN67-110/1-H-56C	KHN67-110/1-H-56C	
	110	108.03	16	2.06	7260	2140	143TC	3	73	KAN67-110/1-H-143TC	KHN67-110/1-H-143TC	
	120	118.14	15	1.88	7260	2140	56C	3	69	KAN67-120/1-H-56C	KHN67-120/1-H-56C	
	120	118.14	15	1.88	7260	2140	143TC	3	73	KAN67-120/1-H-143TC	KHN67-120/1-H-143TC	
	77	7.5	8.40	208	27.05	7415	1810	184TC	3	132	KAN77-7.5/1-H-184TC	KHN77-7.5/1-H-184TC
		7.5	8.40	208	27.05	7415	1660	213/5TC	3	148	KAN77-7.5/1-H-213/5TC	KHN77-7.5/1-H-213/5TC
		10	9.96	176	24.02	7800	1860	184TC	3	132	KAN77-10/1-H-184TC	KHN77-10/1-H-184TC
		10	9.96	176	24.02	7800	1690	213/5TC	3	148	KAN77-10/1-H-213/5TC	KHN77-10/1-H-213/5TC
		15	15.73	111	17.64	9050	2030	184TC	3	132	KAN77-15/1-H-184TC	KHN77-15/1-H-184TC
		15	15.73	111	17.64	9050	1760	213/5TC	3	148	KAN77-15/1-H-213/5TC	KHN77-15/1-H-213/5TC
		20	20.24	86	14.78	9765	2080	184TC	3	132	KAN77-20/1-H-184TC	KHN77-20/1-H-184TC
		20	20.24	86	14.78	9765	1740	213/5TC	3	148	KAN77-20/1-H-213/5TC	KHN77-20/1-H-213/5TC
30		30.48	57	10.97	10915	2020	184TC	3	132	KAN77-30/1-H-184TC	KHN77-30/1-H-184TC	
30		30.48	57	10.97	10915	1470	213/5TC	3	148	KAN77-30/1-H-213/5TC	KHN77-30/1-H-213/5TC	
40		39.76	44	9.21	11955	2050	184TC	3	132	KAN77-40/1-H-184TC	KHN77-40/1-H-184TC	
40		39.76	44	9.21	11955	1390	213TC	3	148	KAN77-40/1-H-213TC	KHN77-40/1-H-213TC	
50		51.18	34	7.72	12900	1940	184TC	3	132	KAN77-50/1-H-184TC	KHN77-50/1-H-184TC	
60		57.05	31	7.16	13325	2620	182/4TC	3	132	KAN77-60/1-H-182/4TC	KHN77-60/1-H-182/4TC	
65		64.06	27	6.56	13710	2610	182/4TC	3	132	KAN77-65/1-H-182/4TC	KHN77-65/1-H-182/4TC	
80		78.07	22	5.38	13710	3080	145TC	3	128	KAN77-80/1-H-145TC	KHN77-80/1-H-145TC	
80		78.07	22	5.38	13710	2570	182TC	3	132	KAN77-80/1-H-182TC	KHN77-80/1-H-182TC	
100		100.66	17	4.18	13710	3090	145TC	3	128	KAN77-100/1-H-145TC	KHN77-100/1-H-145TC	
100		100.66	17	4.18	13710	2450	182TC	3	132	KAN77-100/1-H-182TC	KHN77-100/1-H-182TC	
120		122.94	14	3.42	12240	3090	143TC	3	128	KAN77-120/1-H-143TC	KHN77-120/1-H-143TC	
87	7.5	8.27	212	49.53	13365	2400	213/5TC	3	230	KAN87-7.5/1-H-213/5TC	KHN87-7.5/1-H-213/5TC	
	7.5	8.27	212	49.53	13365	2070	254/6TC	3	257	KAN87-7.5/1-H-254/6TC	KHN87-7.5/1-H-254/6TC	
	10	10.53	166	41.81	14370	2660	184TC	3	208	KAN87-10/1-H-184TC	KHN87-10/1-H-184TC	
	10	10.53	166	41.81	14370	2520	213/5TC	3	230	KAN87-10/1-H-213/5TC	KHN87-10/1-H-213/5TC	
	10	10.53	166	41.81	14370	2100	254/6TC	3	257	KAN87-10/1-H-254/6TC	KHN87-10/1-H-254/6TC	
	15	15.66	112	31.67	16185	2690	213/5TC	3	230	KAN87-15/1-H-213/5TC	KHN87-15/1-H-213/5TC	
	15	15.66	112	31.67	16185	2060	254/6TC	3	257	KAN87-15/1-H-254/6TC	KHN87-15/1-H-254/6TC	
	20	20.90	84	25.88	17650	2780	213/5TC	3	230	KAN87-20/1-H-213/5TC	KHN87-20/1-H-213/5TC	
	20	20.90	84	25.88	17650	1940	254/6TC	3	257	KAN87-20/1-H-254/6TC	KHN87-20/1-H-254/6TC	
	30	28.30	62	20.93	19330	3200	184TC	3	208	KAN87-30/1-H-184TC	KHN87-30/1-H-184TC	
	30	28.30	62	20.93	19330	2820	213/5TC	3	230	KAN87-30/1-H-213/5TC	KHN87-30/1-H-213/5TC	
	30	28.30	62	20.93	19330	1700	254/6TC	3	257	KAN87-30/1-H-254/6TC	KHN87-30/1-H-254/6TC	
	40	43.31	40	14.76	20870	3450	184TC	3	208	KAN87-40/1-H-184TC	KHN87-40/1-H-184TC	
	40	43.31	40	14.76	20870	2930	213/5TC	3	230	KAN87-40/1-H-213/5TC	KHN87-40/1-H-213/5TC	
	50	50.45	35	13.04	21470	3490	184TC	3	208	KAN87-50/1-H-184TC	KHN87-50/1-H-184TC	
	50	50.45	35	13.04	21470	2890	213/5TC	3	230	KAN87-50/1-H-213/5TC	KHN87-50/1-H-213/5TC	
	60	61.42	28	11.11	22270	3510	184TC	3	208	KAN87-60/1-H-184TC	KHN87-60/1-H-184TC	
	60	61.42	28	11.11	22270	2780	213/5TC	3	230	KAN87-60/1-H-213/5TC	KHN87-60/1-H-213/5TC	
70	72.35	24	9.73	22970	3500	184TC	3	208	KAN87-70/1-H-184TC	KHN87-70/1-H-184TC		
70	72.35	24	9.73	22970	2640	213TC	3	230	KAN87-70/1-H-213TC	KHN87-70/1-H-213TC		
80	82.86	21	8.72	23570	4260	182/4TC	3	208	KAN87-80/1-H-182/4TC	KHN87-80/1-H-182/4TC		
110	108.00	16	6.78	23900	4350	182TC	3	208	KAN87-110-H-182TC	KHN87-110-H-182TC		
120	117.56	15	6.23	23900	4370	182TC	3	208	KAN87-120-H-182TC	KHN87-120-H-182TC		
97	7.5	8.31	211	81.48	22095	5190	254/6TC	3	393	KAN97-7.5/1-H-254/6TC	KHN97-7.5/1-H-254/6TC	
	7.5	8.31	211	81.48	22095	4820	284/6TC	3	402	KAN97-7.5/1-H-284/6TC	KHN97-7.5/1-H-284/6TC	
	10	10.16	172	70.80	23465	5770	213/5TC	3	362	KAN97-10/1-H-213/5TC	KHN97-10/1-H-213/5TC	
	10	10.16	172	70.80	23465	5420	254/6TC	3	393	KAN97-10/1-H-254/6TC	KHN97-10/1-H-254/6TC	
	10	10.16	172	70.80	23465	4970	284/6TC	3	402	KAN97-10/1-H-284/6TC	KHN97-10/1-H-284/6TC	
	15	14.11	124	64.78	29820	6320	213/5TC	3	362	KAN97-15/1-H-213/5TC	KHN97-15/1-H-213/5TC	
	15	14.11	124	64.78	29820	5900	254/6TC	3	393	KAN97-15/1-H-254/6TC	KHN97-15/1-H-254/6TC	
	15	14.11	124	64.78	29820	5350	284/6TC	3	402	KAN97-15/1-H-284/6TC	KHN97-15/1-H-284/6TC	
	20	21.33	82	48.50	33760	7000	213/5TC	3	362	KAN97-20/1-H-213/5TC	KHN97-20/1-H-213/5TC	
	20	21.33	82	48.50	33760	6360	254/6TC	3	393	KAN97-20/1-H-254/6TC	KHN97-20/1-H-254/6TC	
	20	21.33	82	48.50	33760	5520	284/6TC	3	402	KAN97-20/1-H-284/6TC	KHN97-20/1-H-284/6TC	
	30	31.19	56	28.65	29165	6450	254/6TC	3	393	KAN97-30/1-H-254/6TC	KHN97-30/1-H-254/6TC	
	30	31.19	56	28.65	29165	5060	284/6TC	3	402	KAN97-30/1-H-284/6TC	KHN97-30/1-H-284/6TC	
	40	38.12	46	23.33	29030	7800	213/5TC	3	362	KAN97-40/1-H-213/5TC	KHN97-40/1-H-213/5TC	
	40	38.12	46	23.33	29030	6520	254/6TC	3	393	KAN97-40/1-H-254/6TC	KHN97-40/1-H-254/6TC	
	50	47.16	37	18.78	28910	8100	213/5TC	3	362	KAN97-50/1-H-213/5TC	KHN97-50/1-H-213/5TC	
	50	47.16	37	18.78	28910	6510	254/6TC	3	393	KAN97-50/1-H-254/6TC	KHN97-50/1-H-254/6TC	
	65	64.72	27	18.02	38060	8550	213/5TC	3	362	KAN97-65/1-H-213/5TC	KHN97-65/1-H-213/5TC	
	65	64.72	27	18.02	38060	6810	254TC	3	393	KAN97-65/1-H-254TC	KHN97-65/1-H-254TC	
	70	71.78	24	16.24	38060	8550	213/5TC	3	362	KAN97-70/1-H-213/5TC	KHN97-70/1-H-213/5TC	
	80	80.07	22	14.56	38060	8550	213/5TC	3	362	KAN97-80/1-H-213/5TC	KHN97-80/1-H-213/5TC	
	100	101.37	17	11.50	38060	8550	213/5TC	3	362	KAN97-100/1-213/5TC	KHN97-100/1-213/5TC	
	120	119.87	15	9.73	38060	8550	213TC	3	362	KAN97-120/1-213TC	KHN97-120/1-213TC	

3
 KAN & KHN SERIES - HELICAL BEVEL GEAR REDUCERS

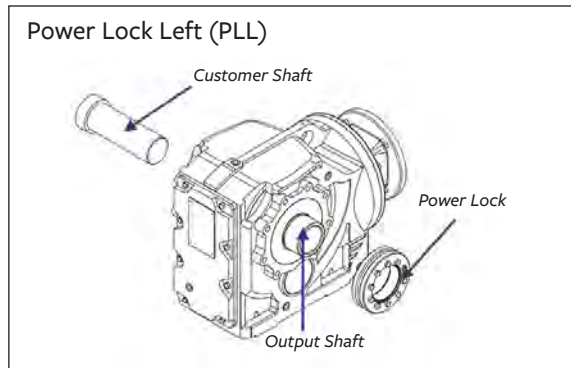
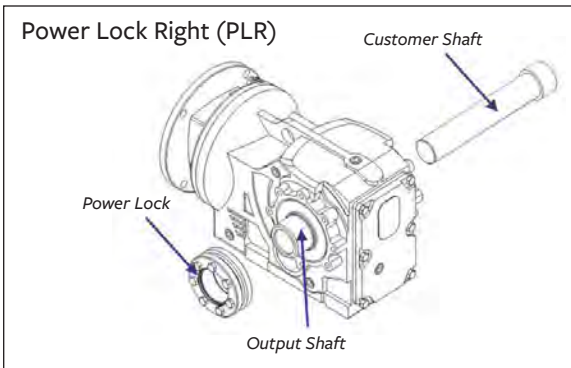
KAN & KHN Series with Power Lock
Product Overview

Product Specifications

- » KAN and KHN Series Helical-Bevel Speed Reducers are available with power lock bushings for a more secure connection.
- » The power lock assembly achieves a non-positive connection between the driven shaft and the hollow shaft in the gear unit.
- » Available on units with frame sizes 87 or 97
- » The power lock configuration is not field convertible from left to right or vice versa. The proper configuration must be selected at the time the unit is purchased.
- » Power Lock Right (PLR): When facing the input, the power lock is on the right, and the customer shaft is on the left. *See illustration below.*
- » Power Lock Left (PLL): When facing the input, the power lock is on the left, and the customer shaft is on the right. *See illustration below.*
- » All product features (aside from power lock bushing) and mechanical ratings are consistent with the standard design KAN and KHN Helical Bevel Gear Reducers.



3
 KAN & KHN SERIES - HELICAL BEVEL GEAR REDUCERS



Box Size	Nominal Ratio	Actual Ratio	Output RPM @ 1750 RPM Input	Input HP	Output Torque (lbs. in.)	Max OHL (lbs.)	Motor Frame	Stages	Approx. Weight (lbs.)	KAN Model Number	KHN Model Number
87	7.5	8.27	212	49.53	13365	2400	213/5TC	3	230	KAN87-7.5/1-H-213/5TC-PLL	KHN87-7.5/1-H-213/5TC-PLL
	7.5	8.27	212	49.53	13365	2400	213/5TC	3	230	KAN87-7.5/1-H-213/5TC-PLR	KHN87-7.5/1-H-213/5TC-PLR
	7.5	8.27	212	49.53	13365	2070	254/6TC	3	257	KAN87-7.5/1-H-254/6TC-PLL	KHN87-7.5/1-H-254/6TC-PLL
	7.5	8.27	212	49.53	13365	2070	254/6TC	3	257	KAN87-7.5/1-H-254/6TC-PLR	KHN87-7.5/1-H-254/6TC-PLR
	10	10.53	166	41.81	14370	2660	184TC	3	208	KAN87-10/1-H-184TC-PLL	KHN87-10/1-H-184TC-PLL
	10	10.53	166	41.81	14370	2660	184TC	3	208	KAN87-10/1-H-184TC-PLR	KHN87-10/1-H-184TC-PLR
	10	10.53	166	41.81	14370	2520	213/5TC	3	230	KAN87-10/1-H-213/5TC-PLL	KHN87-10/1-H-213/5TC-PLL
	10	10.53	166	41.81	14370	2520	213/5TC	3	230	KAN87-10/1-H-213/5TC-PLR	KHN87-10/1-H-213/5TC-PLR
	10	10.53	166	41.81	14370	2100	254/6TC	3	257	KAN87-10/1-H-254/6TC-PLL	KHN87-10/1-H-254/6TC-PLL
	10	10.53	166	41.81	14370	2100	254/6TC	3	257	KAN87-10/1-H-254/6TC-PLR	KHN87-10/1-H-254/6TC-PLR
	15	15.66	112	31.67	16185	2690	213/5TC	3	230	KAN87-15/1-H-213/5TC-PLL	KHN87-15/1-H-213/5TC-PLL
	15	15.66	112	31.67	16185	2690	213/5TC	3	230	KAN87-15/1-H-213/5TC-PLR	KHN87-15/1-H-213/5TC-PLR
	15	15.66	112	31.67	16185	2060	254/6TC	3	257	KAN87-15/1-H-254/6TC-PLL	KHN87-15/1-H-254/6TC-PLL
	15	15.66	112	31.67	16185	2060	254/6TC	3	257	KAN87-15/1-H-254/6TC-PLR	KHN87-15/1-H-254/6TC-PLR
	20	20.90	84	25.88	17650	2780	213/5TC	3	230	KAN87-20/1-H-213/5TC-PLL	KHN87-20/1-H-213/5TC-PLL
	20	20.90	84	25.88	17650	2780	213/5TC	3	230	KAN87-20/1-H-213/5TC-PLR	KHN87-20/1-H-213/5TC-PLR
	20	20.90	84	25.88	17650	1940	254/6TC	3	257	KAN87-20/1-H-254/6TC-PLL	KHN87-20/1-H-254/6TC-PLL
	20	20.90	84	25.88	17650	1940	254/6TC	3	257	KAN87-20/1-H-254/6TC-PLR	KHN87-20/1-H-254/6TC-PLR
	30	28.30	62	20.93	19330	3200	184TC	3	208	KAN87-30/1-H-184TC-PLL	KHN87-30/1-H-184TC-PLL
	30	28.30	62	20.93	19330	3200	184TC	3	208	KAN87-30/1-H-184TC-PLR	KHN87-30/1-H-184TC-PLR
30	28.30	62	20.93	19330	2820	213/5TC	3	230	KAN87-30/1-H-213/5TC-PLL	KHN87-30/1-H-213/5TC-PLL	
30	28.30	62	20.93	19330	2820	213/5TC	3	230	KAN87-30/1-H-213/5TC-PLR	KHN87-30/1-H-213/5TC-PLR	
30	28.30	62	20.93	19330	1700	254/6TC	3	257	KAN87-30/1-H-254/6TC-PLL	KHN87-30/1-H-254/6TC-PLL	
30	28.30	62	20.93	19330	1700	254/6TC	3	257	KAN87-30/1-H-254/6TC-PLR	KHN87-30/1-H-254/6TC-PLR	
40	43.31	40	14.76	20870	3450	184TC	3	208	KAN87-40/1-H-184TC-PLL	KHN87-40/1-H-184TC-PLL	
40	43.31	40	14.76	20870	3450	184TC	3	208	KAN87-40/1-H-184TC-PLR	KHN87-40/1-H-184TC-PLR	
40	43.31	40	14.76	20870	2930	213/5TC	3	230	KAN87-40/1-H-213/5TC-PLL	KHN87-40/1-H-213/5TC-PLL	
40	43.31	40	14.76	20870	2930	213/5TC	3	230	KAN87-40/1-H-213/5TC-PLR	KHN87-40/1-H-213/5TC-PLR	
50	50.45	35	13.04	21470	3490	184TC	3	208	KAN87-50/1-H-184TC-PLL	KHN87-50/1-H-184TC-PLL	
50	50.45	35	13.04	21470	3490	184TC	3	208	KAN87-50/1-H-184TC-PLR	KHN87-50/1-H-184TC-PLR	
50	50.45	35	13.04	21470	2890	213/5TC	3	230	KAN87-50/1-H-213/5TC-PLL	KHN87-50/1-H-213/5TC-PLL	
50	50.45	35	13.04	21470	2890	213/5TC	3	230	KAN87-50/1-H-213/5TC-PLR	KHN87-50/1-H-213/5TC-PLR	

Continued On Next Page

Section 3: Helical Gear Reducers

KAN & KHN Series - Helical Bevel Gear Reducers



KAN & KHN Series with Power Lock
Product Overview

Box Size	Nominal Ratio	Actual Ratio	Output RPM @ 1750 RPM Input	Input HP	Output Torque (lbs. in.)	Max OHL (lbs.)	Motor Frame	Stages	Approx. Weight (lbs.)	KAN Model Number	KHN Model Number
87	60	61.42	28	11.11	22270	3510	184TC	3	208	KAN87-60/1-H-184TC-PLL	KHN87-60/1-H-184TC-PLL
	60	61.42	28	11.11	22270	3510	184TC	3	208	KAN87-60/1-H-184TC-PLR	KHN87-60/1-H-184TC-PLR
	60	61.42	28	11.11	22270	2780	213/5TC	3	230	KAN87-60/1-H-213/5TC-PLL	KHN87-60/1-H-213/5TC-PLL
	60	61.42	28	11.11	22270	2780	213/5TC	3	230	KAN87-60/1-H-213/5TC-PLR	KHN87-60/1-H-213/5TC-PLR
	70	72.35	24	9.73	22970	3500	184TC	3	208	KAN87-70/1-H-184TC-PLL	KHN87-70/1-H-184TC-PLL
	70	72.35	24	9.73	22970	3500	184TC	3	208	KAN87-70/1-H-184TC-PLR	KHN87-70/1-H-184TC-PLR
	70	72.35	24	9.73	22970	2640	213TC	3	230	KAN87-70/1-H-213TC-PLL	KHN87-70/1-H-213TC-PLL
	70	72.35	24	9.73	22970	2640	213TC	3	230	KAN87-70/1-H-213TC-PLR	KHN87-70/1-H-213TC-PLR
	80	82.86	21	8.72	23570	4260	182/4TC	3	208	KAN87-80/1-182/4TC-PLL	KHN87-80/1-182/4TC-PLL
	80	82.86	21	8.72	23570	4260	182/4TC	3	208	KAN87-80/1-182/4TC-PLR	KHN87-80/1-182/4TC-PLR
	110	108.00	16	6.78	23900	4350	182TC	3	208	KAN87-110-H-182TC-PLL	KHN87-110-H-182TC-PLL
	110	108.00	16	6.78	23900	4350	182TC	3	208	KAN87-110-H-182TC-PLR	KHN87-110-H-182TC-PLR
	120	117.56	15	6.23	23900	4370	182TC	3	208	KAN87-120-H-182TC-PLL	KHN87-120-H-182TC-PLL
	120	117.56	15	6.23	23900	4370	182TC	3	208	KAN87-120-H-182TC-PLR	KHN87-120-H-182TC-PLR
	7.5	8.31	211	81.48	22095	5190	254/6TC	3	393	KAN97-7.5/1-H-254/6TC-PLL	KHN97-7.5/1-H-254/6TC-PLL
	7.5	8.31	211	81.48	22095	5190	254/6TC	3	393	KAN97-7.5/1-H-254/6TC-PLR	KHN97-7.5/1-H-254/6TC-PLR
	7.5	8.31	211	81.48	22095	4820	284/6TC	3	402	KAN97-7.5/1-H-284/6TC-PLL	KHN97-7.5/1-H-284/6TC-PLL
	7.5	8.31	211	81.48	22095	4820	284/6TC	3	402	KAN97-7.5/1-H-284/6TC-PLR	KHN97-7.5/1-H-284/6TC-PLR
	10	10.16	172	70.80	23465	5770	213/5TC	3	362	KAN97-10/1-H-213/5TC-PLL	KHN97-10/1-H-213/5TC-PLL
	10	10.16	172	70.80	23465	5770	213/5TC	3	362	KAN97-10/1-H-213/5TC-PLR	KHN97-10/1-H-213/5TC-PLR
	10	10.16	172	70.80	23465	5420	254/6TC	3	393	KAN97-10/1-H-254/6TC-PLL	KHN97-10/1-H-254/6TC-PLL
	10	10.16	172	70.80	23465	5420	254/6TC	3	393	KAN97-10/1-H-254/6TC-PLR	KHN97-10/1-H-254/6TC-PLR
	10	10.16	172	70.80	23465	4970	284/6TC	3	402	KAN97-10/1-H-284/6TC-PLL	KHN97-10/1-H-284/6TC-PLL
	10	10.16	172	70.80	23465	4970	284/6TC	3	402	KAN97-10/1-H-284/6TC-PLR	KHN97-10/1-H-284/6TC-PLR
15	14.11	124	64.78	29820	6320	213/5TC	3	362	KAN97-15/1-H-213/5TC-PLL	KHN97-15/1-H-213/5TC-PLL	
15	14.11	124	64.78	29820	6320	213/5TC	3	362	KAN97-15/1-H-213/5TC-PLR	KHN97-15/1-H-213/5TC-PLR	
15	14.11	124	64.78	29820	5900	254/6TC	3	393	KAN97-15/1-H-254/6TC-PLL	KHN97-15/1-H-254/6TC-PLL	
15	14.11	124	64.78	29820	5900	254/6TC	3	393	KAN97-15/1-H-254/6TC-PLR	KHN97-15/1-H-254/6TC-PLR	
15	14.11	124	64.78	29820	5350	284/6TC	3	402	KAN97-15/1-H-284/6TC-PLL	KHN97-15/1-H-284/6TC-PLL	
15	14.11	124	64.78	29820	5350	284/6TC	3	402	KAN97-15/1-H-284/6TC-PLR	KHN97-15/1-H-284/6TC-PLR	
20	21.33	82	48.50	33760	7000	213/5TC	3	362	KAN97-20/1-H-213/5TC-PLL	KHN97-20/1-H-213/5TC-PLL	
20	21.33	82	48.50	33760	7000	213/5TC	3	362	KAN97-20/1-H-213/5TC-PLR	KHN97-20/1-H-213/5TC-PLR	
20	21.33	82	48.50	33760	6360	254/6TC	3	393	KAN97-20/1-H-254/6TC-PLL	KHN97-20/1-H-254/6TC-PLL	
20	21.33	82	48.50	33760	6360	254/6TC	3	393	KAN97-20/1-H-254/6TC-PLR	KHN97-20/1-H-254/6TC-PLR	
20	21.33	82	48.50	33760	5520	284/6TC	3	402	KAN97-20/1-H-284/6TC-PLL	KHN97-20/1-H-284/6TC-PLL	
20	21.33	82	48.50	33760	5520	284/6TC	3	402	KAN97-20/1-H-284/6TC-PLR	KHN97-20/1-H-284/6TC-PLR	
30	31.19	56	28.65	29165	6450	254/6TC	3	393	KAN97-30/1-H-254/6TC-PLL	KHN97-30/1-H-254/6TC-PLL	
30	31.19	56	28.65	29165	6450	254/6TC	3	393	KAN97-30/1-H-254/6TC-PLR	KHN97-30/1-H-254/6TC-PLR	
30	31.19	56	28.65	29165	5060	284/6TC	3	402	KAN97-30/1-H-284/6TC-PLL	KHN97-30/1-H-284/6TC-PLL	
30	31.19	56	28.65	29165	5060	284/6TC	3	402	KAN97-30/1-H-284/6TC-PLR	KHN97-30/1-H-284/6TC-PLR	
40	38.12	46	23.33	29030	7800	213/5TC	3	362	KAN97-40/1-H-213/5TC-PLL	KHN97-40/1-H-213/5TC-PLL	
40	38.12	46	23.33	29030	7800	213/5TC	3	362	KAN97-40/1-H-213/5TC-PLR	KHN97-40/1-H-213/5TC-PLR	
40	38.12	46	23.33	29030	6520	254/6TC	3	393	KAN97-40/1-H-254/6TC-PLL	KHN97-40/1-H-254/6TC-PLL	
40	38.12	46	23.33	29030	6520	254/6TC	3	393	KAN97-40/1-H-254/6TC-PLR	KHN97-40/1-H-254/6TC-PLR	
50	47.16	37	18.78	28910	8100	213/5TC	3	362	KAN97-50/1-H-213/5TC-PLL	KHN97-50/1-H-213/5TC-PLL	
50	47.16	37	18.78	28910	8100	213/5TC	3	362	KAN97-50/1-H-213/5TC-PLR	KHN97-50/1-H-213/5TC-PLR	
50	47.16	37	18.78	28910	6510	254/6TC	3	393	KAN97-50/1-H-254/6TC-PLL	KHN97-50/1-H-254/6TC-PLL	
50	47.16	37	18.78	28910	6510	254/6TC	3	393	KAN97-50/1-H-254/6TC-PLR	KHN97-50/1-H-254/6TC-PLR	
65	64.72	27	18.02	38060	8550	213/5TC	3	362	KAN97-65/1-H-213/5TC-PLL	KHN97-65/1-H-213/5TC-PLL	
65	64.72	27	18.02	38060	8550	213/5TC	3	362	KAN97-65/1-H-213/5TC-PLR	KHN97-65/1-H-213/5TC-PLR	
65	64.72	27	18.02	38060	6810	254TC	3	393	KAN97-65/1-H-254TC-PLL	KHN97-65/1-H-254TC-PLL	
65	64.72	27	18.02	38060	6810	254TC	3	393	KAN97-65/1-H-254TC-PLR	KHN97-65/1-H-254TC-PLR	
70	71.78	24	16.24	38060	8550	213/5TC	3	362	KAN97-70/1-H-213/5TC-PLL	KHN97-70/1-H-213/5TC-PLL	
70	71.78	24	16.24	38060	8550	213/5TC	3	362	KAN97-70/1-H-213/5TC-PLR	KHN97-70/1-H-213/5TC-PLR	
80	80.07	22	14.56	38060	8550	213/5TC	3	362	KAN97-80/1-H-213/5TC-PLL	KHN97-80/1-H-213/5TC-PLL	
80	80.07	22	14.56	38060	8550	213/5TC	3	362	KAN97-80/1-H-213/5TC-PLR	KHN97-80/1-H-213/5TC-PLR	
100	101.37	17	11.50	38060	8550	213/5TC	3	362	KAN97-100/1-213/5TC-PLL	KHN97-100/1-213/5TC-PLL	
100	101.37	17	11.50	38060	8550	213/5TC	3	362	KAN97-100/1-213/5TC-PLR	KHN97-100/1-213/5TC-PLR	
120	119.87	15	9.73	38060	8550	213TC	3	362	KAN97-120/1-213TC-PLL	KHN97-120/1-213TC-PLL	
120	119.87	15	9.73	38060	8550	213TC	3	362	KAN97-120/1-213TC-PLR	KHN97-120/1-213TC-PLR	

3
KAN & KHN SERIES - HELICAL BEVEL GEAR REDUCERS

Section 3: Helical Gear Reducers

KAN & KHN Series - Helical Bevel Gear Reducers



**KAN & KHN Series - Helical Bevel Reducers:
Mechanical Ratings (cont.)**

Box Size	Nominal Ratio	Actual Ratio	Output RPM	Input HP	Output Torque (lbs. in.)	Motor Frame	Stages	56C			143TC			145TC			182TC			184TC			
								HP	T	OHL	HP	T	OHL	HP	T	OHL	HP	T	OHL	HP	T	OHL	
77	7.5	8.40	208	27.05	7415	184TC	3													5	1389	1810	
	7.5	8.40	208	27.05	7415	213/5TC	3																
	10	9.96	176	24.02	7800	184TC	3													5	1646	1860	
	10	9.96	176	24.02	7800	213/5TC	3																
	15	15.73	111	17.64	9050	184TC	3													5	2600	2030	
	15	15.73	111	17.64	9050	213/5TC	3																
	20	20.24	86	14.78	9765	184TC	3													5	3347	2080	
	20	20.24	86	14.78	9765	213/5TC	3																
	30	30.48	57	10.97	10915	184TC	3													5	5039	2020	
	30	30.48	57	10.97	10915	213/5TC	3																
	40	39.76	44	9.21	11955	184TC	3													5	6574	2050	
	40	39.76	44	9.21	11955	213TC	3																
	50	51.18	34	7.72	12900	184TC	3													5	8461	1940	
	60	57.05	31	7.16	13325	182/4TC	3										3	5660	2620	5	9433	1860	
	65	64.06	27	6.56	13710	182/4TC	3										3	6355	2610	5	10591	1760	
	80	78.07	22	5.38	13710	145TC	3						2	5163	3080								
80	78.07	22	5.38	13710	182TC	3										3	7745	2570					
100	100.66	17	4.18	13710	145TC	3						2	6657	3090									
100	100.66	17	4.18	13710	182TC	3										3	9986	2450					
120	122.94	14	3.42	8125	143TC	3				1	4065	3090											
87	7.5	8.27	212	49.53	13365	213/5TC	3																
	7.5	8.27	212	49.53	13365	254/6TC	3																
	10	10.53	166	41.81	14370	184TC	3													5	1741	2660	
	10	10.53	166	41.81	14370	213/5TC	3																
	10	10.53	166	41.81	14370	254/6TC	3																
	15	15.66	112	31.67	16185	213/5TC	3																
	15	15.66	112	31.67	16185	254/6TC	3																
	20	20.90	84	25.88	17650	213/5TC	3																
	20	20.90	84	25.88	17650	254/6TC	3																
	30	28.30	62	20.93	19330	184TC	3													5	4679	3200	
	30	28.30	62	20.93	19330	213/5TC	3																
	30	28.30	62	20.93	19330	254/6TC	3																
	40	43.31	40	14.76	20870	184TC	3													5	7161	3450	
	40	43.31	40	14.76	20870	213/5TC	3																
	50	50.45	35	13.04	21470	184TC	3													5	8342	3490	
	50	50.45	35	13.04	21470	213/5TC	3																
60	61.42	28	11.11	22270	184TC	3													5	10154	3510		
60	61.42	28	11.11	22270	213/5TC	3																	
70	72.35	24	9.73	22970	184TC	3													5	11961	3500		
70	72.35	24	9.73	22970	213TC	3																	
80	82.86	21	8.72	23570	182/4TC	3										3	8220	4260	5	13700	3470		
110	108.00	16	6.78	23900	182TC	3										3	10714	4350					
120	117.56	15	6.23	23900	182TC	3										3	11662	4370					
97	7.5	8.31	211	81.48	22095	254/6TC	3																
	7.5	8.31	211	81.48	22095	284/6TC	3																
	10	10.16	172	70.80	23465	213/5TC	3																
	10	10.16	172	70.80	23465	254/6TC	3																
	10	10.16	172	70.80	23465	284/6TC	3																
	15	14.11	124	64.78	29820	213/5TC	3																
	15	14.11	124	64.78	29820	254/6TC	3																
	15	14.11	124	64.78	29820	284/6TC	3																
	20	21.33	82	48.50	33760	213/5TC	3																
	20	21.33	82	48.50	33760	254/6TC	3																
	20	21.33	82	48.50	33760	284/6TC	3																
	30	31.19	56	28.65	29165	254/6TC	3																
	30	31.19	56	28.65	29165	284/6TC	3																
	40	38.12	46	23.33	29030	213/5TC	3																
	40	38.12	46	23.33	29030	254/6TC	3																
	50	47.16	37	18.78	28910	213/5TC	3																
50	47.16	37	18.78	28910	254/6TC	3																	
65	64.72	27	18.02	38060	213/5TC	3																	
65	64.72	27	18.02	38060	254TC	3																	
70	71.78	24	16.24	38060	213/5TC	3																	
80	80.07	22	14.56	38060	213/5TC	3																	
100	101.37	17	11.50	38060	213/5TC	3																	
120	119.87	15	9.73	38060	213TC	3																	

3
KAN & KHN SERIES - HELICAL BEVEL GEAR REDUCERS

Continued On Next Page

Section 3: Helical Gear Reducers

KAN & KHN Series - Helical Bevel Gear Reducers



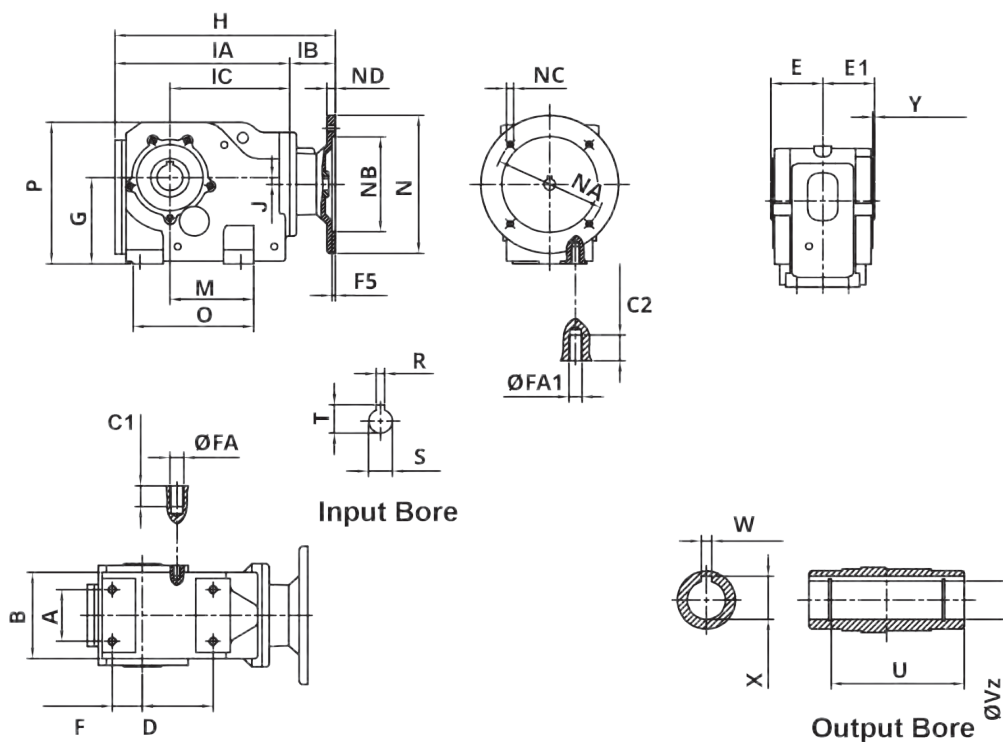
KAN & KHN Series - Helical Bevel Reducers: Mechanical Ratings (cont.)

3

KAN & KHN SERIES - HELICAL BEVEL GEAR REDUCERS

Box Size	Nominal Ratio	Actual Ratio	Output RPM	Input HP	Output Torque (lbs. in.)	Motor Frame	Stages	213TC			215TC			254TC			256TC			284TC			286TC					
								HP	T	OHL	HP	T	OHL	HP	T	OHL	HP	T	OHL	HP	T	OHL	HP	T	OHL			
77	7.5	8.40	208	27.05	7415	184TC	3																					
	7.5	8.40	208	27.05	7415	213/5TC	3	7.5	2084	1660	10	2778	1510															
	10	9.96	176	24.02	7800	184TC	3																					
	10	9.96	176	24.02	7800	213/5TC	3	7.5	2469	1690	10	3292	1510															
	15	15.73	111	17.64	9050	184TC	3																					
	15	15.73	111	17.64	9050	213/5TC	3	7.5	3900	1760	10	5200	1510															
	20	20.24	86	14.78	9765	184TC	3																					
	20	20.24	86	14.78	9765	213/5TC	3	7.5	5020	1740	10	6694	1410															
	30	30.48	57	10.97	10915	184TC	3																					
	30	30.48	57	10.97	10915	213/5TC	3	7.5	7559	1470	10	10079	925															
	40	39.76	44	9.21	11955	184TC	3																					
	40	39.76	44	9.21	11955	213TC	3	7.5	9861	1390																		
	50	51.18	34	7.72	12900	184TC	3																					
	60	57.05	31	7.16	13325	182/4TC	3																					
	65	64.06	27	6.56	13710	182/4TC	3																					
80	78.07	22	5.38	13710	145TC	3																						
80	78.07	22	5.38	13710	182TC	3																						
100	100.66	17	4.18	13710	145TC	3																						
100	100.66	17	4.18	13710	182TC	3																						
120	122.94	14	3.42	8125	143TC	3																						
87	7.5	8.27	212	49.53	13365	213/5TC	3	7.5	2050	2400	10	2734	2290															
	7.5	8.27	212	49.53	13365	254/6TC	3							15	4100	2070	20	5467	1850									
	10	10.53	166	41.81	14370	184TC	3																					
	10	10.53	166	41.81	14370	213/5TC	3	7.5	2612	2520	10	3483	2380															
	10	10.53	166	41.81	14370	254/6TC	3							15	5224	2100	20	6965	1820									
	15	15.66	112	31.67	16185	213/5TC	3	7.5	3885	2690	10	5179	2480															
	15	15.66	112	31.67	16185	254/6TC	3							15	7769	2060	20	10359	1640									
	20	20.90	84	25.88	17650	213/5TC	3	7.5	5183	2780	10	6911	2500															
	20	20.90	84	25.88	17650	254/6TC	3							15	10367	1940	20	13822	1390									
	30	28.30	62	20.93	19330	184TC	3																					
	30	28.30	62	20.93	19330	213/5TC	3	7.5	7019	2820	10	9359	2450															
	30	28.30	62	20.93	19330	254/6TC	3							15	14038	1700	20	18717	940									
	40	43.31	40	14.76	20870	184TC	3																					
	40	43.31	40	14.76	20870	213/5TC	3	7.5	10742	2930	10	14322	2410															
	50	50.45	35	13.04	21470	184TC	3																					
50	50.45	35	13.04	21470	213/5TC	3	7.5	12512	2890	10	16683	2280																
60	61.42	28	11.11	22270	184TC	3																						
60	61.42	28	11.11	22270	213/5TC	3	7.5	15232	2780	10	20309	2040																
70	72.35	24	9.73	22970	184TC	3																						
70	72.35	24	9.73	22970	213TC	3	7.5	17942	2640																			
80	82.86	21	8.72	23570	182/4TC	3																						
110	108.00	16	6.78	23900	182TC	3																						
120	117.56	15	6.23	23900	182TC	3																						
97	7.5	8.31	211	81.48	22095	254/6TC	3							15	4121	5190	20	5495	5010									
	7.5	8.31	211	81.48	22095	284/6TC	3													25	6869	4820	30	8243	4630			
	10	10.16	172	70.80	23465	213/5TC	3	7.5	2519	5770	10	3358	5660						15	5037	5420	20	6716	5200				
	10	10.16	172	70.80	23465	254/6TC	3								15	5037	5420	20	6716	5200								
	10	10.16	172	70.80	23465	284/6TC	3													25	8395	4970	30	10074	4740			
	15	14.11	124	64.78	29820	213/5TC	3	7.5	3498	6320	10	4665	6180						15	6997	5900	20	9329	5620				
	15	14.11	124	64.78	29820	254/6TC	3													25	11661	5350	30	13994	5070			
	15	14.11	124	64.78	29820	284/6TC	3																					
	20	21.33	82	48.50	33760	213/5TC	3	7.5	5290	7000	10	7053	6790						15	10579	6360	20	14106	5940				
	20	21.33	82	48.50	33760	254/6TC	3								15	10579	6360	20	14106	5940								
	20	21.33	82	48.50	33760	284/6TC	3													25	17632	5520	30	21159	5100			
	30	31.19	56	28.65	29165	254/6TC	3								15	15472	6450	20	20629	5760								
	30	31.19	56	28.65	29165	284/6TC	3													25	25786	5060						
	40	38.12	46	23.33	29030	213/5TC	3	7.5	9455	7800	10	12606	7370						15	18910	6520	20	25213	5670				
	40	38.12	46	23.33	29030	254/6TC	3																					
50	47.16	37	18.78	28910	213/5TC	3	7.5	11696	8100	10	15595	7570						15	23393	6510	20	31191	5460					
50	47.16	37	18.78	28910	254/6TC	3																						
65	64.72	27	18.02	38060	213/5TC	3	7.5	16052	8550	10	21402	8090						15	32103	6810								
65	64.72	27	18.02	38060	254TC	3																						
70	71.78	24	16.24	38060	213/5TC	3	7.5	17803	8550	10	23737	8140																
80	80.07	22	14.56	38060	213/5TC	3	7.5	19857	8550	10	26477	8180																
100	101.37	17	11.50	38060	213/5TC	3	7.5	25141	8550	10	33521	8170																
120	119.87	15	9.73	38060	213TC	3	7.5	29729	8550																			

**KAN Series - Helical Bevel Reducers:
 Dimensions**



3
 KAN & KHN SERIES - HELICAL
 BEVEL GEAR REDUCERS

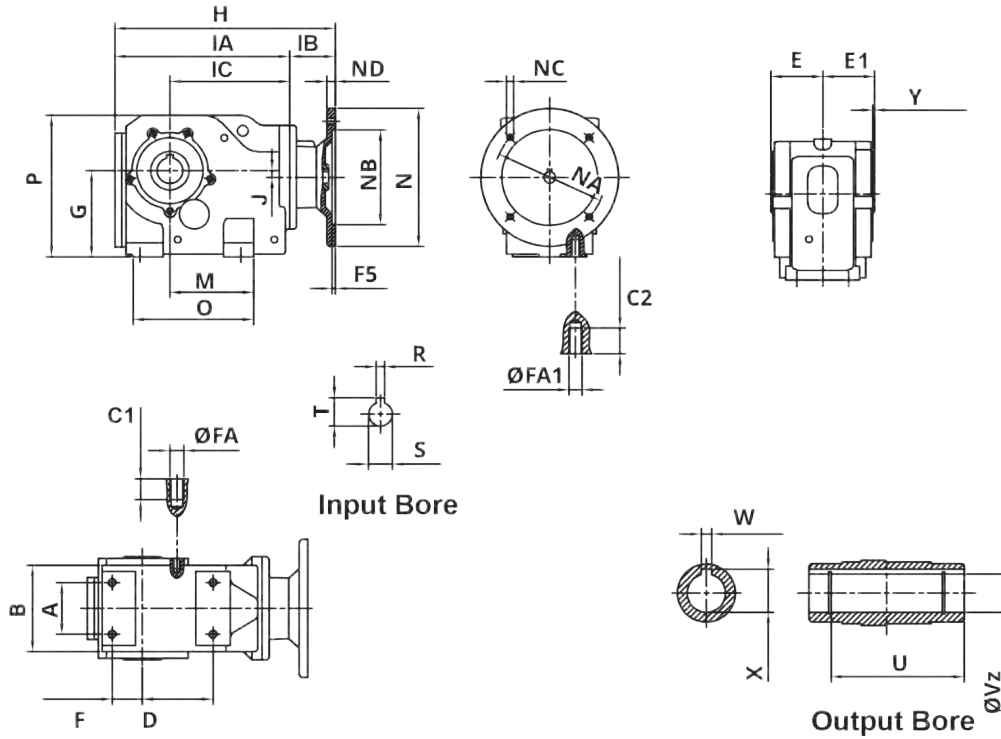
All listed dimensions in inches																					
Box Size	NEMA Frame	A	B	C1	C2	D	E	E1	F	FA	FA1	F5	G	H	IA	IB	IC	J	M	O	P
37	56C	2.36	3.94	0.47	0.79	3.23	2.36	2.36	1.38	M8	M10	0.08	3.94	10.35	7.99	2.40	5.47	0.31	3.82	5.51	6.46
	143/5TC	2.36	3.94	0.47	0.79	3.23	2.36	2.36	1.38	M8	M10	0.08	3.94	10.75	7.99	2.80	5.47	0.31	3.82	5.51	6.46
47	56C	2.76	4.17	0.47	0.79	3.94	2.95	2.95	1.57	M8	M10	0.12	4.41	10.35	9.41	2.4	6.54	0.21	4.41	6.65	7.32
	143/5TC	2.76	4.17	0.47	0.79	3.94	2.95	2.95	1.57	M8	M10	0.12	4.41	10.75	9.41	2.8	6.54	0.21	4.41	6.65	7.32
	182/4TC	2.76	4.17	0.47	0.79	3.94	2.95	2.95	1.57	M8	M10	0.12	4.41	12.68	9.41	3.35	6.54	0.21	4.41	6.65	7.32
67	56C	3.46	5.28	0.79	0.98	4.33	3.54	3.54	1.65	M12	M12	0.14	5.51	12.74	10.75	2.15	7.05	0.75	4.72	6.89	8.98
	143/5TC	3.46	5.28	0.79	0.98	4.33	3.54	3.54	1.65	M12	M12	0.14	5.51	13.13	10.75	2.54	7.05	0.75	4.72	6.89	8.98
	182/4TC	3.46	5.28	0.79	0.98	4.33	3.54	3.54	1.65	M12	M12	0.14	5.51	13.23	10.75	3.27	7.05	0.75	4.72	6.89	8.98
77	143/5TC	4.02	6.46	0.79	1.26	4.80	4.13	4.13	1.89	M12	M16	0.16	7.09	14.69	12.81	2.32	7.95	1.47	5.91	8.66	15.54
	182/4TC	4.02	6.46	0.79	1.26	4.80	4.13	4.13	1.89	M12	M16	0.20	7.09	15.41	12.81	3.05	7.95	1.47	5.91	8.66	15.54
	213/5TC	4.02	6.46	0.79	1.26	4.80	4.13	4.13	1.89	M12	M16	0.20	7.09	17.68	12.81	5.31	7.95	1.47	5.91	8.66	15.54
87	182/4TC	4.65	5.98	1.02	1.26	6.30	4.72	4.72	2.56	M16	M16	0.20	8.35	15.41	15.35	2.68	10.12	1.24	7.48	10.79	13.39
	213/5TC	4.65	5.98	1.02	1.26	6.30	4.72	4.72	2.56	M16	M16	0.20	8.35	17.68	15.35	5.31	10.12	1.24	7.48	10.79	13.39
	254/6TC	4.65	5.98	1.02	1.26	6.30	4.72	4.72	2.56	M16	M16	0.20	8.35	21.24	15.35	5.93	10.12	1.24	7.48	10.79	13.39
97	213/5TC	6.30	9.21	1.02	1.42	6.50	5.91	5.91	3.27	M16	M20	0.20	10.43	21.83	17.64	4.63	10.91	1.82	8.07	12.20	16.42
	254/6TC	6.30	9.21	1.02	1.42	6.50	5.91	5.91	3.27	M16	M20	0.20	10.43	22.81	17.64	5.61	10.91	1.82	8.07	12.20	16.42
	284/6TC	6.30	9.21	1.02	1.42	6.50	5.91	5.91	3.27	M16	M20	0.20	10.43	23.17	17.64	5.96	10.91	1.82	8.07	12.20	16.42

Dimensions shown in this catalog are for general use only.
 For an exact drawing on a specific rating, please contact our sales office.

Continued On Next Page

**KAN Series - Helical Bevel Reducers:
 Dimensions (cont.)**

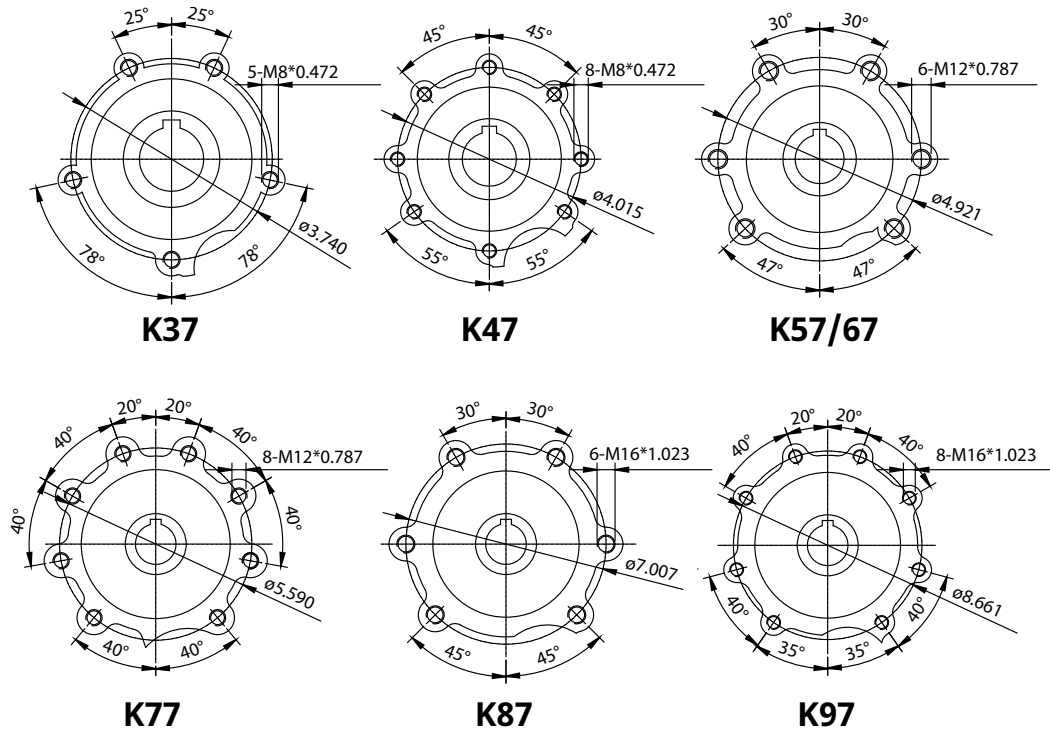
3
 KAN & KHN SERIES - HELICAL
 BEVEL GEAR REDUCERS



All listed dimensions in inches															
Box Size	NEMA Frame	FLANGE (inches)					INPUT BORE (inches)			OUTPUT BORE (inches)					BORE TOLERANCE
		N	NA	NB	NC	ND	R	S	T	U	V	W	X	Y	Z
37	56C	6.50	5.875	4.50	0.41	0.39	0.188	0.625	0.71	4.13	1.25	0.25	1.37	0.08	+ 0.001 / -0.0
	143/5TC	6.50	5.875	4.50	0.41	0.47	0.188	0.875	0.97	4.13	1.25	0.25	1.37	0.08	+ 0.001 / -0.0
47	56C	6.50	5.875	4.50	0.41	0.39	0.188	0.625	0.71	5.20	1.375	0.31	1.52	0.12	+ 0.001 / -0.0
	143/5TC	6.50	5.875	4.50	0.41	0.47	0.188	0.875	0.97	5.20	1.375	0.31	1.52	0.12	+ 0.001 / -0.0
	182/4TC	9.00	7.250	8.50	0.55	0.67	0.250	1.125	1.24	5.20	1.375	0.31	1.52	0.12	+ 0.001 / -0.0
67	56C	6.50	5.875	4.50	0.41	0.39	0.188	0.625	0.71	6.14	1.50	0.38	1.67	0.14	+ 0.001 / -0.0
	143/5TC	6.50	5.875	4.50	0.41	0.47	0.188	0.875	0.96	6.14	1.50	0.38	1.67	0.14	+ 0.001 / -0.0
	182/4TC	9.00	7.250	8.50	0.55	0.67	0.250	1.125	1.24	6.14	1.50	0.38	1.67	0.14	+ 0.001 / -0.0
77	143/5TC	6.50	5.875	4.50	0.41	0.39	0.188	0.875	0.96	7.20	2.00	0.50	2.25	0.16	+ 0.001 / -0.0
	182/4TC	9.00	7.250	8.50	0.55	0.67	0.250	1.125	1.24	7.20	2.00	0.50	2.25	0.16	+ 0.001 / -0.0
	213/5TC	9.00	7.250	8.50	0.55	0.67	0.312	1.375	1.52	7.20	2.00	0.50	2.25	0.16	+ 0.001 / -0.0
87	182/4TC	9.00	7.250	8.50	0.55	0.67	0.250	1.125	1.24	8.27	2.375	0.63	2.65	0.16	+ 0.001 / -0.0
	213/5TC	9.00	7.250	8.50	0.55	0.67	0.312	1.375	1.52	8.27	2.375	0.63	2.65	0.16	+ 0.001 / -0.0
	254/6TC	10.00	7.250	8.50	0.55	0.79	0.375	1.625	1.80	8.27	2.375	0.63	2.65	0.16	+ 0.001 / -0.0
97	213/5TC	9.00	7.250	8.50	0.55	0.67	0.312	1.375	1.52	10.63	2.75	0.63	3.03	0.16	+ 0.001 / -0.0
	254/6TC	10.00	7.250	8.50	0.55	0.79	0.375	1.625	1.80	10.63	2.75	0.63	3.03	0.16	+ 0.001 / -0.0
	284/6TC	11.26	9.000	10.50	0.59	0.79	0.500	1.875	2.10	10.63	2.75	0.63	3.03	0.16	+ 0.001 / -0.0

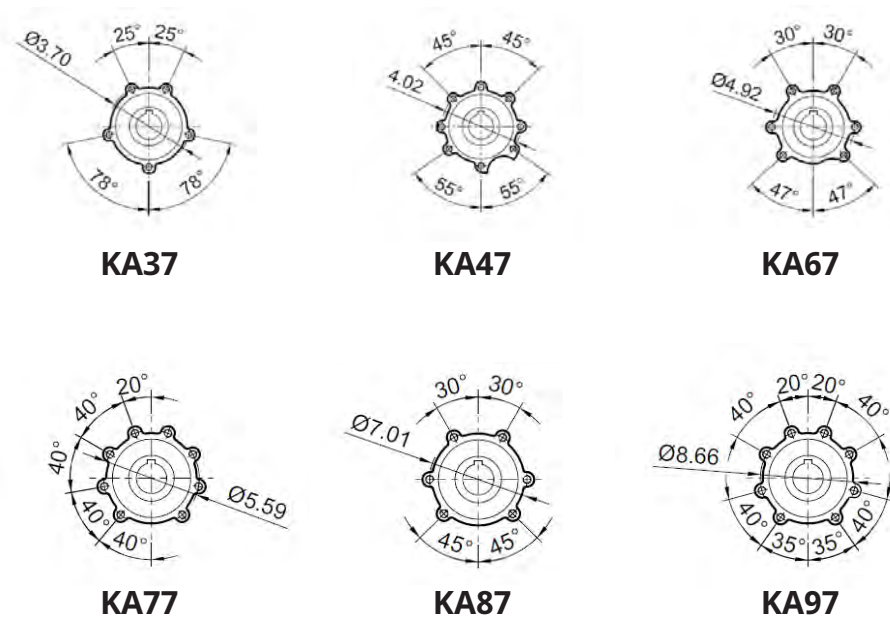
Dimensions shown in this catalog are for general use only.
 For an exact drawing on a specific rating, please contact our sales office.

**KAN Series - Helical Bevel Reducers:
 Integrated Output Mounting Dimensions**



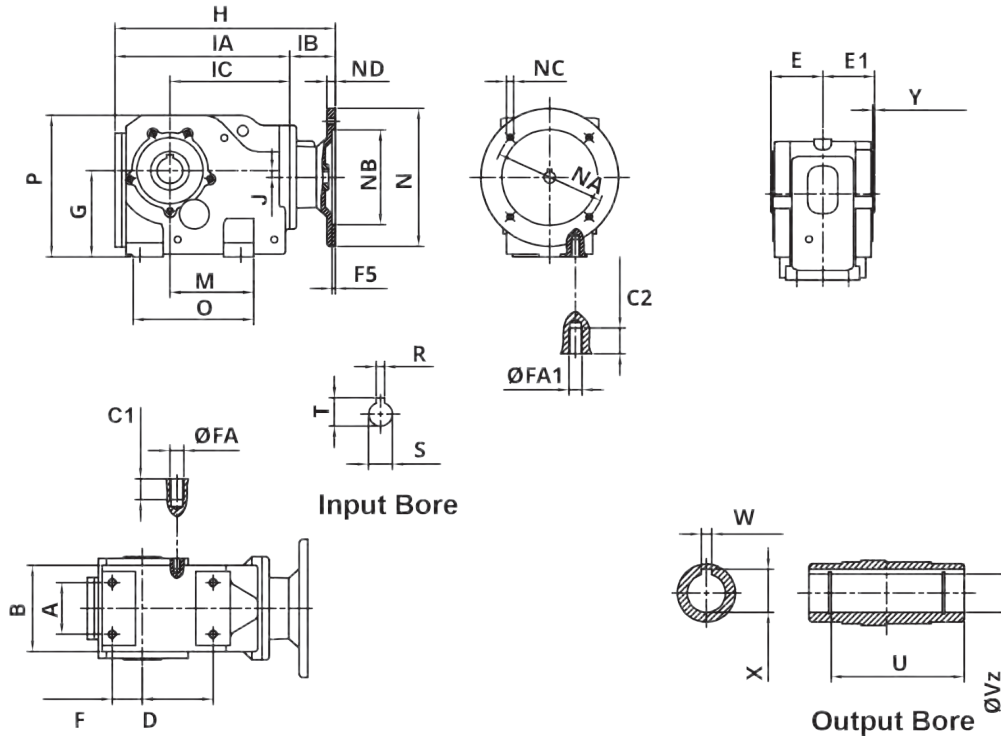
3
 KAN & KHN SERIES - HELICAL
 BEVEL GEAR REDUCERS

**KAN Series Integrated Output Mounting Dimensions
 Competitor Dimensional Comparison - SEW Eurodrive**



KAN Series - Helical Bevel Reducers:
Competitor Dimensional Comparison - SEW Eurodrive

3
 KAN & KHN SERIES - HELICAL BEVEL GEAR REDUCERS

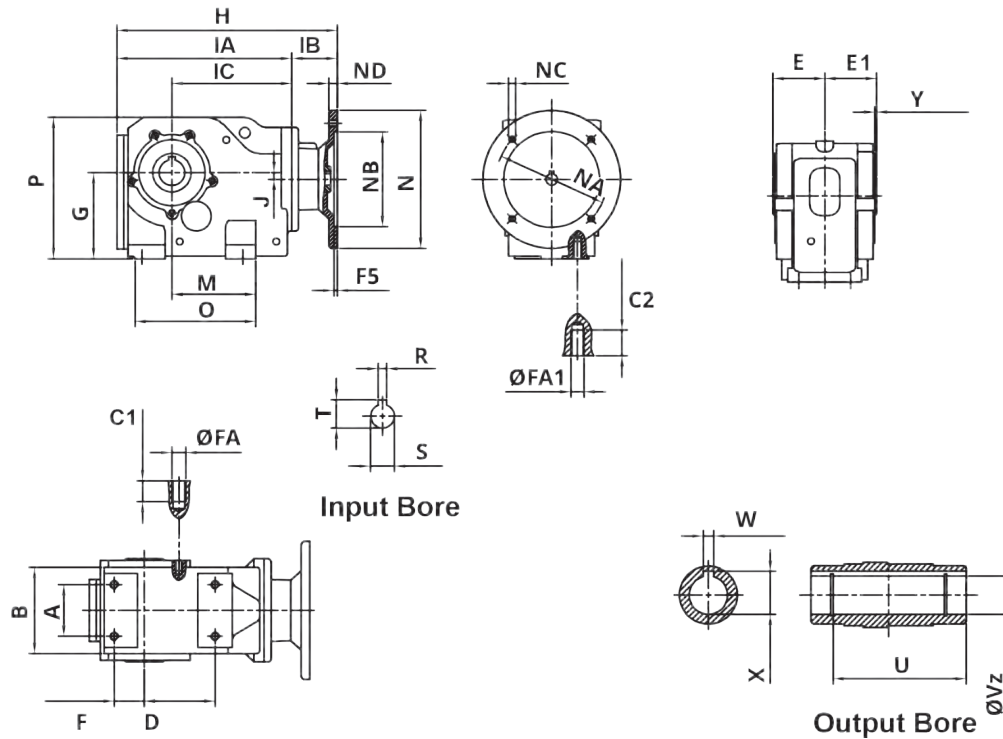


All listed dimensions in inches																					
Box Size	NEMA Frame	A	B	C1	C2	D	E	E1	F	FA	FA1	F5	G	H	IA	IB	IC	J	M	O	P
37	56C	2.36	3.94	0.47	0.79	3.23	2.48	2.36	1.38	M8	M10	0.10	3.94	11.95	8.27	3.68	5.47	0.33	3.82	5.79	6.46
	143/5TC	2.36	3.94	0.47	0.79	3.23	2.48	2.36	1.38	M8	M10	0.10	3.94	12.88	8.27	4.61	5.47	0.33	3.82	5.79	6.46
47	56C	2.76	4.33	0.47	0.79	3.94	3.07	2.95	1.57	M8	M10	0.12	4.41	13.00	9.57	3.43	6.54	0.33	4.53	6.69	7.28
	143/5TC	2.76	4.33	0.47	0.79	3.94	3.07	2.95	1.57	M8	M10	0.12	4.41	13.92	9.57	4.35	6.54	0.33	4.53	6.69	7.28
	182/4TC	2.76	4.33	0.47	0.79	3.94	3.07	2.95	1.57	M8	M10	0.12	4.41	15.38	9.57	5.81	6.54	0.33	4.53	6.69	7.28
67	56C	3.46	5.12	0.79	0.98	4.33	3.70	3.54	1.65	M12	M12	0.14	5.51	14.22	10.79	3.43	7.05	0.79	4.92	7.17	8.90
	143/5TC	3.46	5.12	0.79	0.98	4.33	3.70	3.54	1.65	M12	M12	0.14	5.51	15.14	10.79	4.35	7.05	0.79	4.92	7.17	8.90
	182/4TC	3.46	5.12	0.79	0.98	4.33	3.70	3.54	1.65	M12	M12	0.14	5.51	16.60	10.79	5.81	7.05	0.79	4.92	7.17	8.90
77	143/5TC	4.02	6.06	0.79	1.26	4.80	4.25	4.13	1.89	M12	M16	0.18	7.09	16.35	12.28	4.07	7.95	1.23	5.47	8.03	11.26
	182/4TC	4.02	6.06	0.79	1.26	4.80	4.25	4.13	1.89	M12	M16	0.20	7.09	17.77	12.28	5.49	7.95	1.23	5.47	8.03	11.26
	213/5TC	4.02	6.06	0.79	1.26	4.80	4.25	4.13	1.89	M12	M16	0.20	7.09	19.70	12.28	7.42	7.95	1.23	5.47	10.79	11.26
87	182/4TC	4.65	6.69	1.02	1.26	6.30	4.84	4.72	2.56	M16	M16	0.20	8.35	20.65	15.35	5.3	10.12	1.02	7.48	11.02	13.31
	213/5TC	4.65	6.69	1.02	1.26	6.30	4.84	4.72	2.56	M16	M16	0.20	8.35	22.57	15.35	7.22	10.12	1.02	7.48	11.02	13.31
	254/6TC	4.65	6.69	1.02	1.26	6.30	4.84	4.72	2.56	M16	M16	0.20	8.35	24.56	15.35	9.21	10.12	1.02	7.48	11.02	13.31
97	213/5TC	6.30	8.90	1.02	1.42	6.50	6.02	5.91	3.27	M16	M20	0.20	10.44	24.16	17.13	7.03	10.91	1.27	7.48	11.73	16.30
	254/6TC	6.30	8.90	1.02	1.42	6.50	6.02	5.91	3.27	M16	M20	0.20	10.44	26.15	17.13	9.02	10.91	1.27	7.48	11.73	16.30
	284/6TC	6.30	8.90	1.02	1.42	6.50	6.02	5.91	3.27	M16	M20	0.20	10.44	26.42	17.13	9.29	10.91	1.27	7.48	11.73	16.30

SEW Eurodrive dimensional data was derived from their Catalog 9PD0016/0300. Blue shaded cells indicate a dimensional difference. All dimensions are in inches.

Continued On Next Page

KAN Series - Helical Bevel Reducers:
Competitor Dimensional Comparison - SEW Eurodrive (cont.)



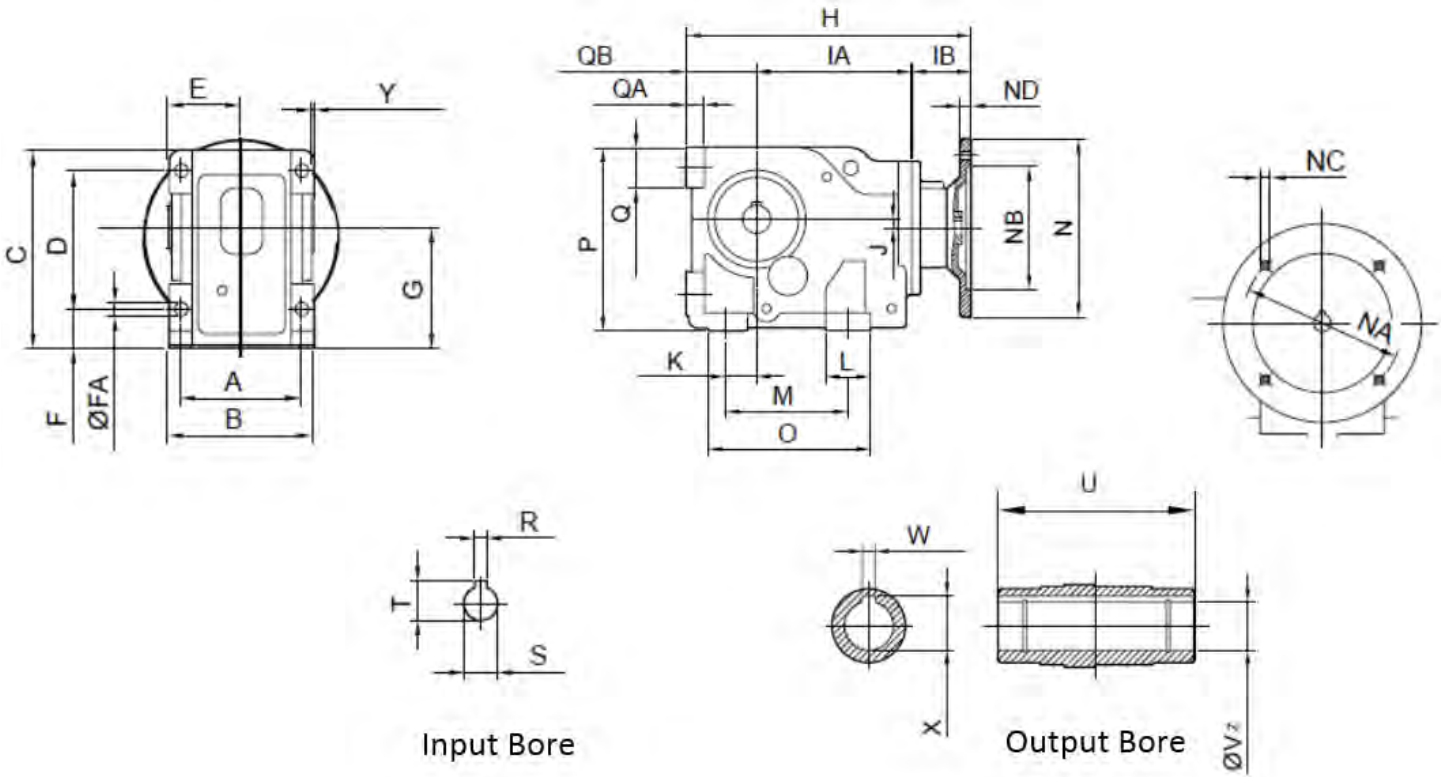
3
 KAN & KHN SERIES - HELICAL
 BEVEL GEAR REDUCERS

All listed dimensions in inches															
Box Size	NEMA Frame	FLANGE (inches)					INPUT BORE (inches)			OUTPUT BORE (inches)					BORE TOLERANCE
		N	NA	NB	NC	ND	R	S	T	U	V	W	X	Y	Z
37	56C	6.69	5.875	4.50	0.41	0.43	0.188	0.625	0.71	4.13	1.25	0.25	1.37	0.10	+ 0.001 / -0.0
	143/5TC	6.69	5.875	4.50	0.41	0.47	0.188	0.875	0.98	4.13	1.25	0.25	1.37	0.10	+ 0.001 / -0.0
47	56C	6.69	5.875	4.50	0.41	0.43	0.188	0.625	0.71	5.20	1.375	0.31	1.52	0.12	+ 0.001 / -0.0
	143/5TC	6.69	5.875	4.50	0.41	0.47	0.188	0.875	0.98	5.20	1.375	0.31	1.52	0.12	+ 0.001 / -0.0
67	182/4TC	8.98	7.250	8.50	0.59	0.39	0.250	1.125	1.24	5.20	1.375	0.31	1.52	0.12	+ 0.001 / -0.0
	56C	6.69	5.875	4.50	0.41	0.43	0.188	0.625	0.71	6.14	1.50	0.38	1.67	0.14	+ 0.001 / -0.0
	143/5TC	6.69	5.875	4.50	0.41	0.47	0.188	0.875	0.98	6.14	1.50	0.38	1.67	0.14	+ 0.001 / -0.0
	182/4TC	8.98	7.250	8.50	0.59	0.39	0.250	1.125	1.24	6.14	1.50	0.38	1.67	0.14	+ 0.001 / -0.0
77	143/5TC	6.69	5.875	4.50	0.41	0.47	0.188	0.875	0.98	7.20	2.00	0.50	2.22	0.16	+ 0.001 / -0.0
	182/4TC	6.69	7.250	8.50	0.59	0.39	0.250	1.125	1.24	7.20	2.00	0.50	2.22	0.16	+ 0.001 / -0.0
	213/5TC	8.98	7.250	8.50	0.59	0.43	0.312	1.375	1.52	7.20	2.00	0.50	2.22	0.16	+ 0.001 / -0.0
87	182/4TC	8.98	7.250	8.50	0.59	0.39	0.250	1.125	1.24	8.27	2.375	0.63	2.65	0.16	+ 0.001 / -0.0
	213/5TC	8.98	7.250	8.50	0.59	0.43	0.312	1.375	1.52	8.27	2.375	0.63	2.65	0.16	+ 0.001 / -0.0
	254/6TC	8.98	7.250	8.50	0.59	0.47	0.375	1.625	1.80	8.27	2.375	0.63	2.65	0.16	+ 0.001 / -0.0
97	213/5TC	8.98	7.250	8.50	0.59	0.43	0.312	1.375	1.52	10.63	2.75	0.63	3.03	0.16	+ 0.001 / -0.0
	254/6TC	8.98	7.250	8.50	0.59	0.47	0.375	1.625	1.80	10.63	2.75	0.63	3.03	0.16	+ 0.001 / -0.0
	284/6TC	11.26	9.000	10.50	0.59	0.79	0.500	1.875	2.10	10.63	2.75	0.63	3.03	0.16	+ 0.001 / -0.0

SEW Eurodrive dimensional data was derived from their Catalog 9PD0016/0300. Blue shaded cells indicate a dimensional difference. All dimensions are in inches.

**KHN Series - Helical Bevel Reducers:
 Dimensions**

3
 KAN & KHN SERIES - HELICAL
 BEVEL GEAR REDUCERS

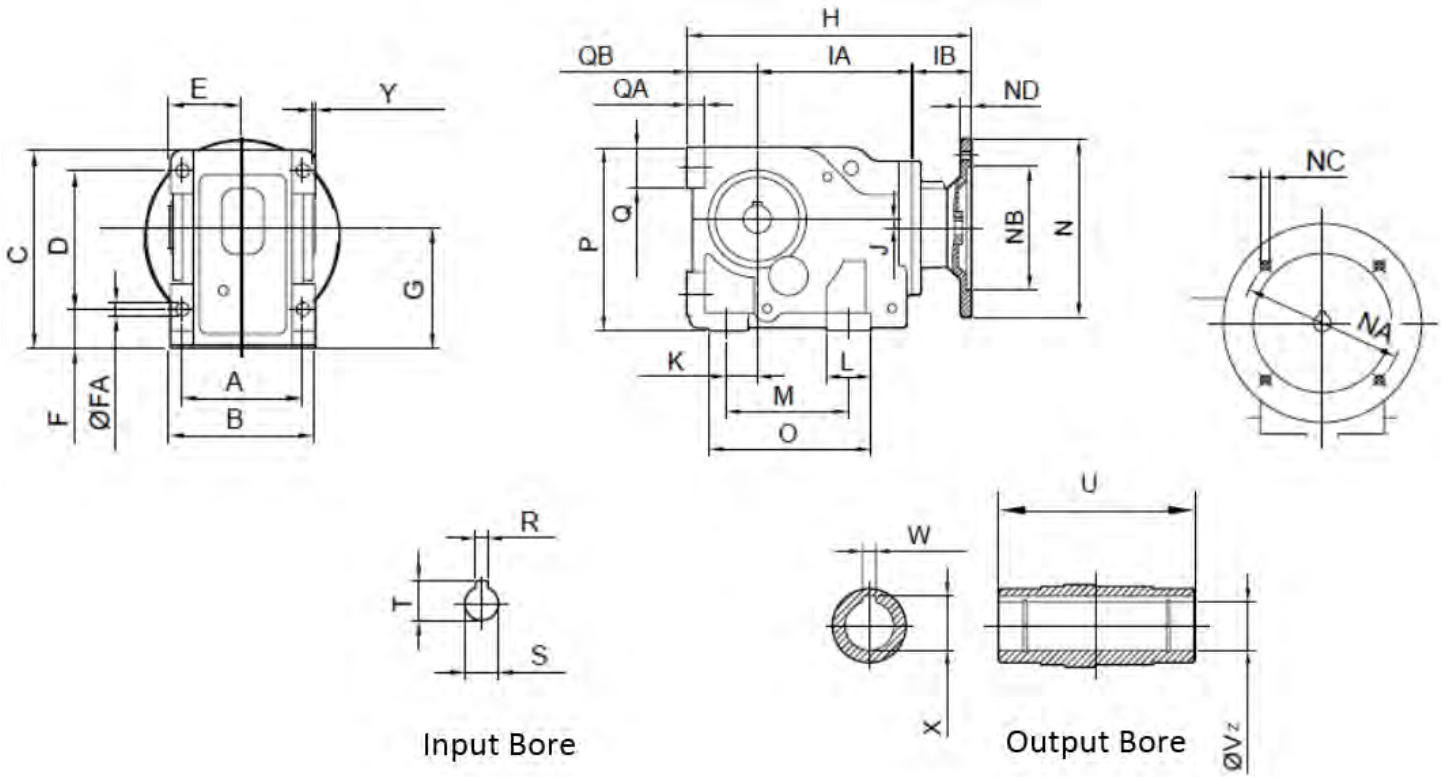


All listed dimensions in inches																		
Box Size	NEMA Frame	A	B	C	D	E	F	FA	G	H	IA	IB	J	K	L	M	O	P
37	56C	3.94	4.72	6.46	4.53	2.36	1.26	0.43	3.94	10.35	5.47	2.40	0.31	1.10	1.57	4.33	5.71	6.46
	143/5TC	3.94	4.72	6.46	4.53	2.36	1.26	0.43	3.94	10.75	5.47	2.80	0.31	1.10	1.57	4.33	5.71	6.46
47	56C	4.72	5.71	7.32	5.12	2.85	1.46	0.43	4.41	10.35	6.54	2.40	0.20	1.38	1.50	5.12	6.65	7.32
	143/5TC	4.72	5.71	7.32	5.12	2.85	1.46	0.43	4.41	10.75	6.54	2.80	0.20	1.38	1.50	5.12	6.65	7.32
	182/4TC	4.72	5.71	7.32	5.12	2.85	1.46	0.43	4.41	12.68	6.54	3.35	0.20	1.38	1.50	5.12	6.65	7.32
67	56C	5.51	6.69	8.98	6.30	3.41	1.77	0.53	5.51	12.74	7.05	2.15	0.75	1.18	1.77	4.72	6.69	8.98
	143/5TC	5.51	6.69	8.98	6.30	3.41	1.77	0.53	5.51	13.13	7.05	2.54	0.75	1.18	1.77	4.72	6.69	8.98
	182/4TC	5.51	6.69	8.98	6.30	3.41	1.77	0.53	5.51	13.23	7.05	3.27	0.75	1.18	1.77	4.72	6.69	8.98
77	143/5TC	6.50	7.87	11.54	7.87	3.94	2.17	0.69	7.09	14.69	7.95	2.32	1.47	1.57	2.56	5.91	8.66	11.54
	182/4TC	6.50	7.87	11.54	7.87	3.94	2.17	0.69	7.09	15.41	7.95	3.05	1.47	1.57	2.56	5.91	8.66	11.54
	213/5TC	6.50	7.87	11.54	7.87	3.94	2.17	0.69	7.09	17.68	7.95	5.31	1.47	1.57	2.56	5.91	8.66	11.54
87	182/4TC	7.09	8.82	13.99	9.17	4.41	2.76	0.87	8.34	15.41	10.12	2.68	1.24	2.17	3.39	7.09	11.02	13.39
	213/5TC	7.09	8.82	13.99	9.17	4.41	2.76	0.87	8.34	17.68	10.12	4.94	1.24	2.17	3.39	7.09	11.02	13.39
	254/6TC	7.09	8.82	13.99	9.17	4.41	2.76	0.87	8.34	21.24	10.12	5.93	1.24	2.17	3.39	7.09	11.02	13.39
97	213/5TC	9.45	11.42	16.42	11.61	5.71	2.95	1.02	10.43	21.83	10.91	4.63	1.82	2.95	2.99	9.45	12.20	16.42
	254/6TC	9.45	11.42	16.42	11.61	5.71	2.95	1.02	10.43	22.81	10.91	5.61	1.82	2.95	2.99	9.45	12.20	16.42
	284/6TC	9.45	11.42	16.42	11.61	5.71	2.95	1.02	10.43	23.17	10.91	5.96	1.82	2.95	2.99	9.45	12.20	16.42

Dimensions shown in this catalog are for general use only.
 For an exact drawing on a specific rating, please contact our sales office.

Continued On Next Page

**KHN Series - Helical Bevel Reducers:
Dimensions (cont.)**



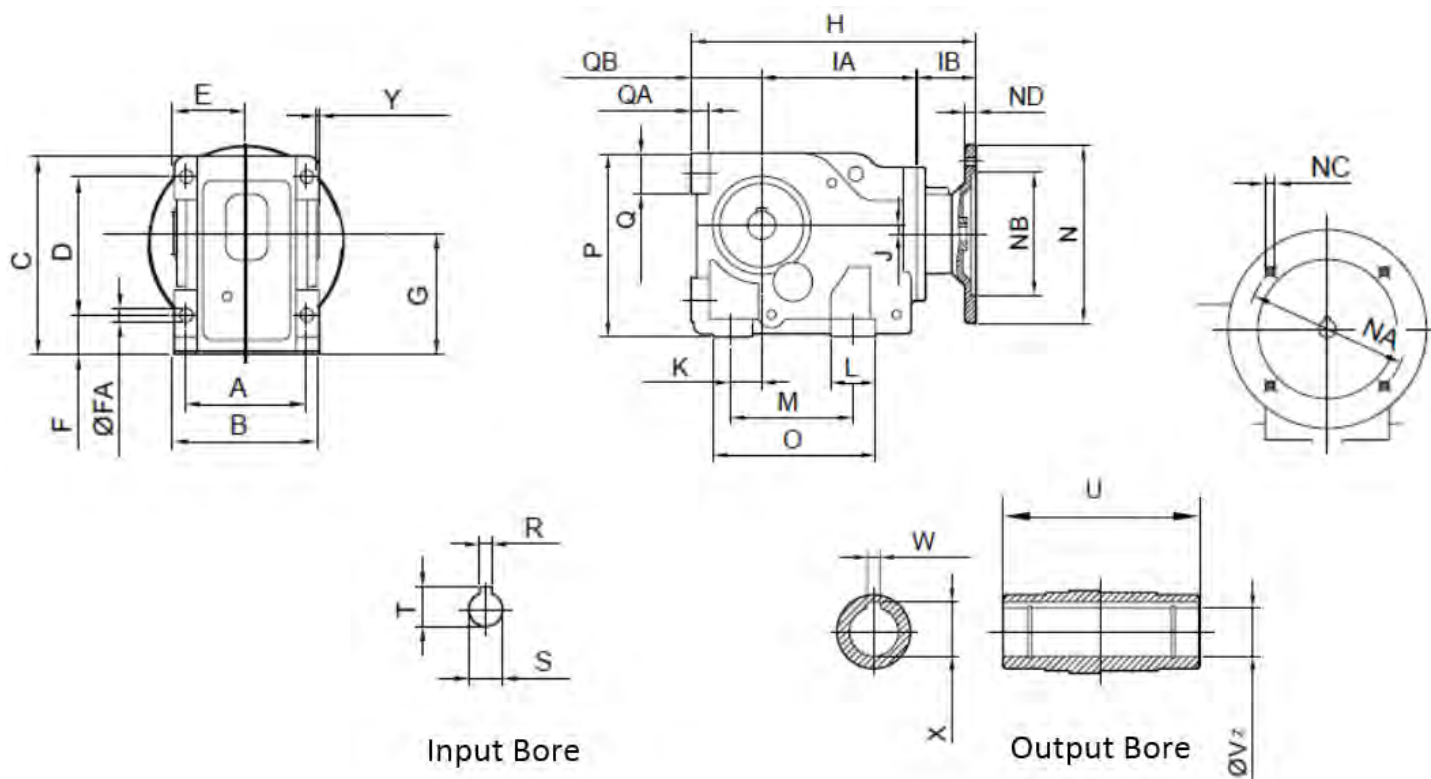
3
 KAN & KHN SERIES - HELICAL
 BEVEL GEAR REDUCERS

All listed dimensions in inches																		
Box Size	NEMA Frame	Q	QA	QB	FLANGE (inches)					INPUT BORE (inches)			OUTPUT BORE (inches)				BORE TOLERANCE	
					N	NA	NB	NC	ND	R	S	T	U	V	W	X	Y	Z
37	56C	1.42	0.63	2.48	6.50	5.875	4.50	4 x 0.41	0.39	0.188	0.625	0.71	4.72	1.250	0.25	1.37	0.08	+ .0010 / -0.0
	143/5TC	1.42	0.63	2.48	6.50	5.875	4.50	4 x 0.41	0.47	0.188	0.875	0.97	4.72	1.250	0.25	1.37	0.08	+ .0010 / -0.0
47	56C	1.34	0.71	2.80	6.50	5.875	4.50	4 x 0.41	0.39	0.188	0.625	0.71	5.90	1.375	0.31	1.52	0.10	+ .0010 / -0.0
	143/5TC	1.34	0.71	2.80	6.50	5.875	4.50	4 x 0.41	0.47	0.188	0.875	0.97	5.90	1.375	0.31	1.52	0.10	+ .0010 / -0.0
67	182/4TC	1.34	0.71	2.80	9.00	7.250	8.50	4 x 0.55	0.67	0.250	1.125	1.24	5.90	1.375	0.31	1.52	0.10	+ .0010 / -0.0
	56C	2.13	0.94	3.54	6.50	5.875	4.50	4 x 0.41	0.39	0.188	0.625	0.71	7.08	1.500	0.38	1.67	0.14	+ .0010 / -0.0
	143/5TC	2.13	0.94	3.54	6.50	5.875	4.50	4 x 0.41	0.47	0.188	0.875	0.96	7.08	1.500	0.38	1.67	0.14	+ .0010 / -0.0
77	182/4TC	2.13	0.94	3.54	9.00	7.250	8.50	4 x 0.55	0.67	0.250	1.125	1.24	7.08	1.500	0.38	1.67	0.14	+ .0010 / -0.0
	143/5TC	2.36	1.06	4.41	6.50	5.875	4.50	4 x 0.41	0.47	0.188	0.875	0.96	8.26	2.000	0.50	2.22	0.16	+ .0011 / -0.0
	182/4TC	2.36	1.06	4.41	9.00	7.250	8.50	4 x 0.55	0.67	0.250	1.125	1.24	8.26	2.000	0.50	2.22	0.16	+ .0011 / -0.0
87	213/5TC	2.36	1.06	4.41	9.00	7.250	8.50	4 x 0.55	0.67	0.312	1.375	1.52	8.26	2.000	0.50	2.22	0.16	+ .0011 / -0.0
	182/4TC	3.46	1.26	5.20	9.00	7.250	8.50	4 x 0.55	0.67	0.250	1.125	1.24	9.44	2.375	0.63	2.65	0.16	+ .0011 / -0.0
	213/5TC	3.46	1.26	5.20	9.00	7.250	8.50	4 x 0.55	0.67	0.312	1.375	1.52	9.44	2.375	0.63	2.65	0.16	+ .0011 / -0.0
97	254/6TC	3.46	1.26	5.20	10.00	7.250	8.50	4 x 0.55	0.79	0.375	1.625	1.80	9.44	2.375	0.63	2.65	0.16	+ .0011 / -0.0
	213/5TC	3.39	1.42	6.30	9.00	7.250	8.50	4 x 0.55	0.67	0.312	1.375	1.52	11.82	2.750	0.63	3.03	0.16	+ .0011 / -0.0
	254/6TC	3.39	1.42	6.30	10.00	7.250	8.50	4 x 0.55	0.79	0.375	1.625	1.80	11.82	2.750	0.63	3.03	0.16	+ .0011 / -0.0
	284/6TC	3.39	1.42	6.30	11.26	9.000	10.50	4 x 0.59	0.79	0.500	1.875	2.10	11.82	2.750	0.63	3.03	0.16	+ .0011 / -0.0

Dimensions shown in this catalog are for general use only.
For an exact drawing on a specific rating, please contact our sales office.

**KHN Series - Helical Bevel Reducers:
Competitor Dimensional Comparison - SEW Eurodrive**

3
KAN & KHN SERIES - HELICAL BEVEL GEAR REDUCERS

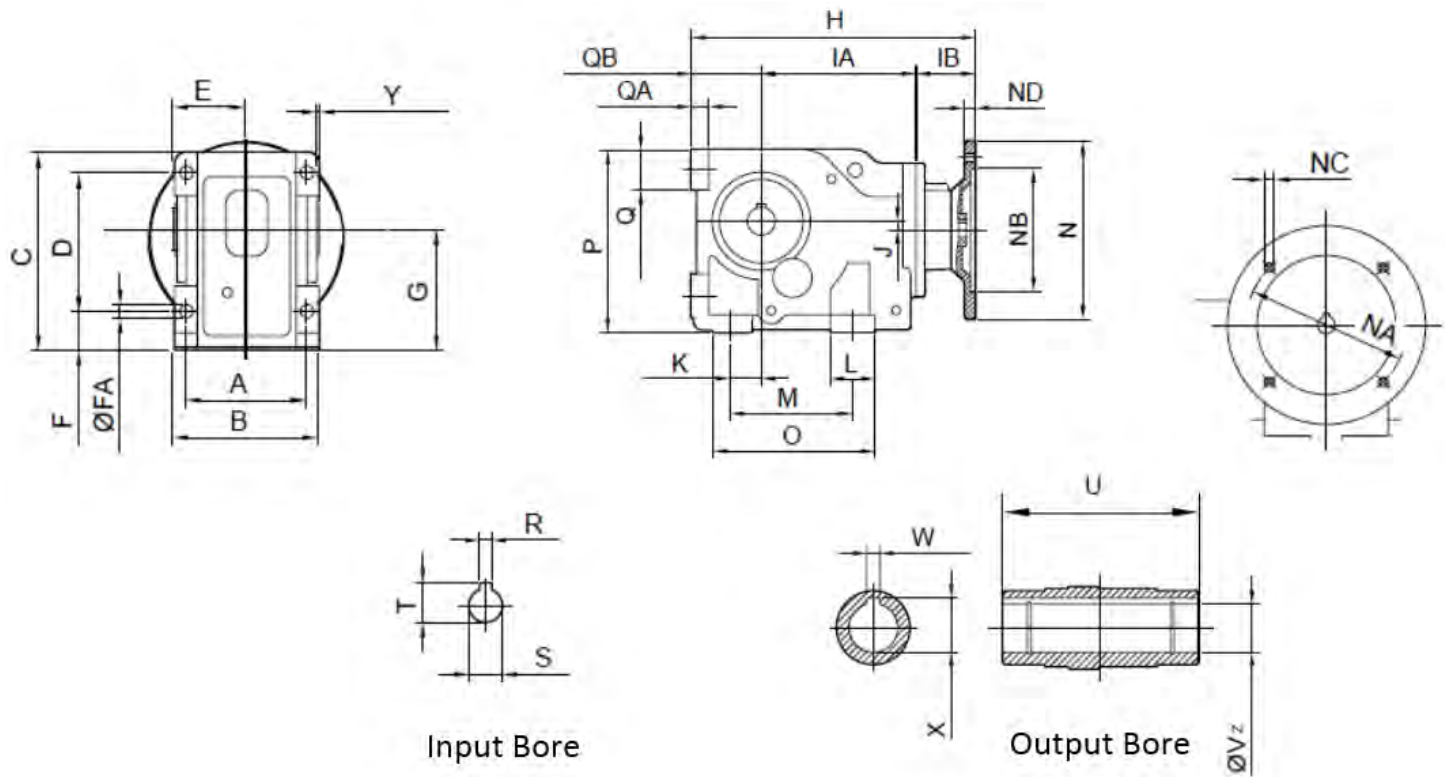


All listed dimensions in inches																		
Box Size	NEMA Frame	A	B	C	D	E	F	FA	G	H	IA	IB	J	K	L	M	O	P
37	56C	3.94	4.72	6.50	4.53	2.36	1.26	0.43	3.94	11.63	5.47	3.68	0.33	1.10	1.50	4.33	5.63	6.50
	143/5TC	3.94	4.72	6.50	4.53	2.36	1.26	0.43	3.94	12.56	5.47	4.61	0.33	1.10	1.50	4.33	5.63	6.50
47	56C	4.72	5.71	7.28	5.12	2.83	1.46	0.43	4.41	12.77	6.54	3.43	0.28	1.38	1.26	5.12	6.38	7.28
	143/5TC	4.72	5.71	7.28	5.12	2.83	1.46	0.43	4.41	13.69	6.54	4.35	0.28	1.38	1.26	5.12	6.38	7.28
	182/4TC	4.72	5.71	7.28	5.12	2.83	1.46	0.43	4.41	15.15	6.54	5.81	0.28	1.38	1.26	5.12	6.38	7.28
67	56C	5.51	6.69	8.98	6.30	3.41	1.77	0.53	5.51	14.02	7.05	3.43	0.79	1.18	1.77	4.72	6.69	8.98
	143/5TC	5.51	6.69	8.98	6.30	3.41	1.77	0.53	5.51	14.94	7.05	4.35	0.79	1.18	1.77	4.72	6.69	8.98
	182/4TC	5.51	6.69	8.98	6.30	3.41	1.77	0.53	5.51	16.40	7.05	5.81	0.79	1.18	1.77	4.72	6.69	8.98
77	143/5TC	6.50	7.87	11.34	7.87	3.98	2.17	0.69	7.09	16.43	7.95	4.07	1.23	1.57	2.17	5.91	8.19	11.34
	182/4TC	6.50	7.87	11.34	7.87	3.98	2.17	0.69	7.09	17.85	7.95	5.49	1.23	1.57	2.17	5.91	8.19	11.34
	213/5TC	6.50	7.87	11.34	7.87	3.98	2.17	0.69	7.09	19.78	7.95	7.42	1.23	1.57	2.17	5.91	8.19	11.34
87	182/4TC	7.09	9.06	13.39	9.17	4.57	2.76	0.87	8.35	20.62	10.12	5.30	1.02	2.17	2.95	7.09	10.24	13.39
	213/5TC	7.09	9.06	13.39	9.17	4.57	2.76	0.87	8.35	22.54	10.12	7.22	1.02	2.17	2.95	7.09	10.24	13.39
	254/6TC	7.09	9.06	13.39	9.17	4.57	2.76	0.87	8.35	24.53	10.12	9.21	1.02	2.17	2.95	7.09	10.24	13.39
97	213/5TC	9.45	11.41	16.42	11.61	5.75	2.95	1.02	10.43	24.24	10.91	7.03	1.27	2.95	2.36	9.45	11.57	16.42
	254/6TC	9.45	11.41	16.42	11.61	5.75	2.95	1.02	10.43	26.23	10.91	9.02	1.27	2.95	2.36	9.45	11.57	16.42
	284/6TC	9.45	11.41	16.42	11.61	5.75	2.95	1.02	10.43	26.50	10.91	9.29	1.27	2.95	2.36	9.45	11.57	16.42

SEW Eurodrive dimensional data was derived from their Catalog 9PD0016/0300. Blue shaded cells indicate a dimensional difference. All dimensions are in inches.

Continued On Next Page

**KHN Series - Helical Bevel Reducers:
Competitor Dimensional Comparison - SEW Eurodrive (cont.)**



Input Bore

Output Bore

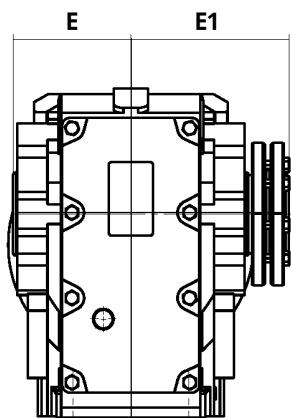
3
 KAN & KHN SERIES - HELICAL
 BEVEL GEAR REDUCERS

All listed dimensions in inches																		
Box Size	NEMA Frame	Q	QA	QB	FLANGE (inches)					INPUT BORE (inches)			OUTPUT BORE (inches)				BORE TOLERANCE	
					N	NA	NB	NC	ND	R	S	T	U	V	W	X	Y	Z
37	56C	1.42	0.63	2.48	6.69	5.875	4.50	4 x 0.41	0.43	0.188	0.625	0.71	4.72	1.250	0.25	1.37	0.10	+ .0010 / -0.0
	143/5TC	1.42	0.63	2.48	6.69	5.875	4.50	4 x 0.41	0.47	0.188	0.875	0.98	4.72	1.250	0.25	1.37	0.10	+ .0010 / -0.0
47	56C	1.34	0.71	2.80	6.69	5.875	4.50	4 x 0.41	0.43	0.188	0.625	0.71	5.90	1.375	0.31	1.52	0.12	+ .0010 / -0.0
	143/5TC	1.34	0.71	2.80	6.69	5.875	4.50	4 x 0.41	0.47	0.188	0.875	0.98	5.90	1.375	0.31	1.52	0.12	+ .0010 / -0.0
67	182/4TC	1.34	0.71	2.80	8.98	7.250	8.50	4 x 0.59	0.59	0.250	1.125	1.24	5.90	1.375	0.31	1.52	0.12	+ .0010 / -0.0
	56C	2.13	0.94	3.54	6.69	5.875	4.50	4 x 0.41	0.43	0.188	0.625	0.71	7.08	1.500	0.38	1.67	0.14	+ .0010 / -0.0
77	143/5TC	2.13	0.94	3.54	6.69	5.875	4.50	4 x 0.41	0.47	0.188	0.875	0.98	7.08	1.500	0.38	1.67	0.14	+ .0010 / -0.0
	182/4TC	2.13	0.94	3.54	8.98	7.250	8.50	4 x 0.59	0.59	0.250	1.125	1.24	7.08	1.500	0.38	1.67	0.14	+ .0010 / -0.0
87	143/5TC	2.36	1.06	4.41	6.69	5.875	4.50	4 x 0.41	0.47	0.188	0.875	0.98	8.26	2.000	0.50	2.22	0.16	+ .0011 / -0.0
	182/4TC	2.36	1.06	4.41	8.98	7.250	8.50	4 x 0.59	0.59	0.250	1.125	1.24	8.26	2.000	0.50	2.22	0.16	+ .0011 / -0.0
97	213/5TC	2.36	1.06	4.41	8.98	7.250	8.50	4 x 0.59	0.63	0.312	1.375	1.52	8.26	2.000	0.50	2.22	0.16	+ .0011 / -0.0
	182/4TC	3.46	1.26	5.20	8.98	7.250	8.50	4 x 0.59	0.59	0.250	1.125	1.24	9.44	2.375	0.63	2.65	0.16	+ .0011 / -0.0
97	213/5TC	3.46	1.26	5.20	8.98	7.250	8.50	4 x 0.59	0.63	0.312	1.375	1.52	9.44	2.375	0.63	2.65	0.16	+ .0011 / -0.0
	254/6TC	3.46	1.26	5.20	8.98	7.250	8.50	4 x 0.59	0.67	0.375	1.625	1.80	9.44	2.375	0.63	2.65	0.16	+ .0011 / -0.0
97	213/5TC	3.39	1.42	6.30	8.98	7.250	8.50	4 x 0.59	0.63	0.312	1.375	1.52	11.82	2.750	0.63	3.03	0.16	+ .0011 / -0.0
	254/6TC	3.39	1.42	6.30	8.98	7.250	8.50	4 x 0.59	0.67	0.375	1.625	1.80	11.82	2.750	0.63	3.03	0.16	+ .0011 / -0.0
97	284/6TC	3.39	1.42	6.30	11.26	9.000	10.50	4 x 0.59	0.79	0.500	1.875	2.10	11.82	2.750	0.63	3.03	0.16	+ .0011 / -0.0

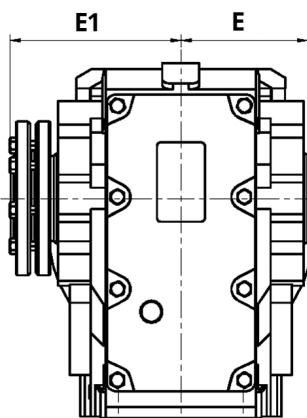
SEW Eurodrive dimensional data was derived from their Catalog 9PD0016/0300. Blue shaded cells indicate a dimensional difference. All dimensions are in inches.

**KAN and KHN Series with Power Lock - Helical Bevel Reducers:
Dimensions**

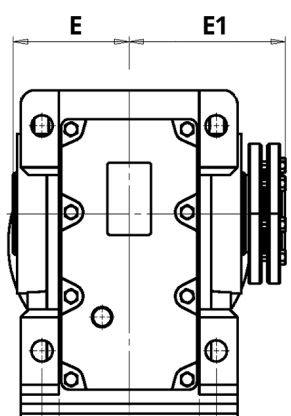
3
KAN & KHN SERIES - HELICAL
BEVEL GEAR REDUCERS



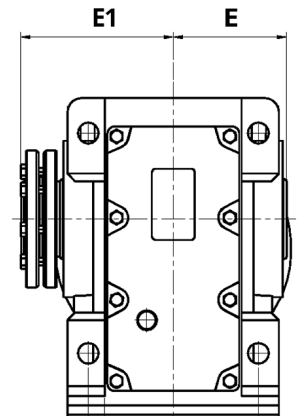
KAN-PLL



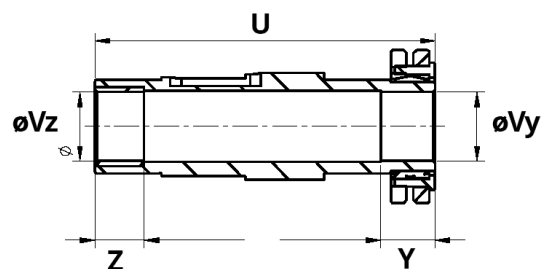
KAN-PLR



KHN-PLL



KHN-PLR



OUTPUT BORE

All listed dimensions in inches									
Box Size	Power Lock	Shaft Output Direction	E	E1	U	øVy	Z	øVz	Y
KAN87	PLL	RIGHT	4.724	6.358	11.063	2.375	1.575	2.375	--
	PLR	LEFT	6.358	4.724	11.063	2.375	1.575	2.375	--
KAN97	PLL	RIGHT	7.677	5.906	13.583	2.75	1.969	2.75	2.165
	PLR	LEFT	5.906	7.677	13.583	2.75	1.969	2.75	2.165
KHN87	PLL	RIGHT	6.358	4.724	11.063	2.375	1.575	2.375	--
	PLR	LEFT	6.358	4.724	11.063	2.375	1.575	2.375	--
KHN97	PLL	RIGHT	7.677	5.906	13.583	2.75	1.969	2.75	2.165
	PLR	LEFT	7.677	5.906	13.583	2.75	1.969	2.75	2.165

KAN & KHN Series - Helical Bevel Reducers: Accessories

Single Output Shafts

Used for mounting into WorldWide Electric K Series hollow bore reducers for the purpose of turning a hollow bore output unit to a shaft output unit. KHN shaft kits are compatible with the KAN series except when the KAN reducer features a B5 flange. Kit includes single output shaft, key, endplate and bolt.



Box Size	Shaft Diameter (Inches)	Shaft Length (Inches)	Model Number
37	1.00	6.852	KHN37-OPS-S
47	1.25	8.423	KHN47-OPS-S
67	1.50	10.433	KHN67-OPS-S
77	2.00	12.444	KHN77-OPS-S
87	2.375	14.405	KHN87-OPS-S
97	2.75	17.597	KHN97-OPS-S

Double Output Shafts

KHN shaft kits are for mounting into WorldWide Electric KHN Series hollow bore reducers for the purpose of turning a hollow bore output unit to a shaft output unit. KHN shaft kits are compatible with the KAN series except when the KAN reducer features a B5 flange. Kit includes double output shaft, key, retaining ring and C-clips.



Box Size	Shaft Diameter (Inches)	Shaft Length (Inches)	Model Number
37	1.00	9.137	KHN37-OPS-DS
47	1.25	11.098	KHN47-OPS-DS
67	1.50	13.938	KHN67-OPS-DS
77	2.00	16.778	KHN77-OPS-DS
87	2.375	19.519	KHN87-OPS-DS
97	2.75	23.54	KHN97-OPS-DS

Single Output Shaft with B5 Flange

The B5 Single Output Shaft with a B5 Flange is compatible with the KAN Series reducer. Kit includes single output shaft, key, endplate, and bolt.



Box Size	Shaft Diameter (Inches)	Shaft Length (Inches)	Model Number
37	1.00	7.559	KAN37-OPS-S-B5
47	1.25	9.137	KAN47-OPS-S-B5
67	1.50	11.063	KAN67-OPS-S-B5
77	2.00	13.583	KAN77-OPS-S-B5
87	2.375	15.275	KAN87-OPS-S-B5
97	2.75	18.898	KAN97-OPS-S-B5

B5 Output Flange

The B5 Output Flange is compatible with the KAN Series reducer. Kit includes B5 output flange and mounting bolts.



Box Size	Model Number
37	KAN37-OPF-B5
47	KAN47-OPF-B5
67	KAN67-OPF-B5
77	KAN77-OPF-B5
87	KAN87-OPF-B5
97	KAN97-OPF-B5

KAN Series Torque Arm

The KAN Series Torque Arm is available for box sizes 37-97 and is sold separately from the gearbox. Kit includes torque arm, mounting bolts, and lock washers.



Box Size	Model Number
37	KAN37-TA
47	KAN47-TA
67	KAN67-TA
77	KAN77-TA
87	KAN87-TA
97	KAN97-TA

3 KAN & KHN SERIES - HELICAL BEVEL GEAR REDUCERS